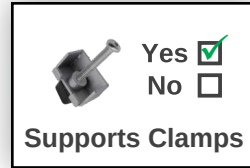


12.1" Capacitive Touch Monitor

FT121TMCAPOB



- Anti-glare surface treatment (chemical etching)
- 10-Finger-Multi Touch Capacitive Touch Panel
- 1.1mm cover glass with 7H surface hardness
- Optically bonded Touch Panel to LCD Panel
- Patented IP65 front with silicon seal
- Integrated audio speakers (2x2w)
- 2 year guarantee (24/7 operation)

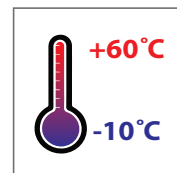
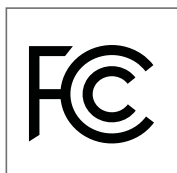
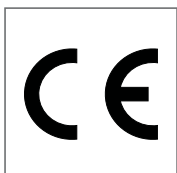


faytech's Capacitive Touch Monitors have a modern sleek look with its flat edge to edge glass IP65 water- and dust proof front panels. This device has capacitive 10-finger multitouch, glass front reaching MosH 7, the glass surface is anti-glare treated (chemical etching) and a wide variety of connectors. All the monitors have VESA 75 or VESA 100 screw patterns on the back, while the 13.3" to 27" come with their own desktop stand included.

This device has an optically bonded touch panel, which will improve the stability, reduce the reflection, increase the viewing angle, and enhance the perceived brightness. It also provides resistance to dust particles and shows a better image in general.

These devices are the perfect choice for a wide variety of applications, including POS systems, control panels in industrial fields, kiosk systems, office/residence automation, digital signage and in areas like shopping malls, classrooms, hotels and many more.

| Legend / Notes | |
|----------------------------|------|
| Applicable to version 2 | (v2) |
| Applicable to version 3 | (v3) |
| Applicable to all Versions | None |



| | | | | | | | |
|----------------------------------|-----------------------|----------------------|----------|---------------------------------------|-----------------------|----------------------|----------|
| Product name | | | | 12.1" Capacitive Touch Monitor | | | |
| Article code / EAN number | | | | FT121TMCAPOB / 6920734012107 | | | |
| Global Article Code | European Article Code | Release date (D/M/Y) | Version* | Global Article Code | European Article Code | Release date (D/M/Y) | Version* |
| 3030505818 | 1010502068 | 01/11/2020 | v2 | | | | |
| 3030509594 | 1010502308 | 01/12/2021 | v3 | | | | |

| IP Rating | |
|------------------------|--|
| IP65 Front / IP40 Back | |

| LCD Panel | |
|--|--------------|
| Screen diagonal (Inch/cm) | 12.1/30.73 |
| Display active screen size (cm) | 24.60×18.40 |
| Aspect ratio | 4:3 |
| Physical resolution | 1024×768 |
| Maximum showable resolution | 1920×1080 |
| Colours displayed | 16.7M |
| Brightness (cd/m ²) | 500 |
| Contrast | 700:1 |
| Typical reaction time Tr/ Tf (ms) | 25/10 |
| Visual Angle horizontal/vertical (°) | 160/160 |
| Backlight / Backlight Lifetime (hours) | LED / 50,000 |

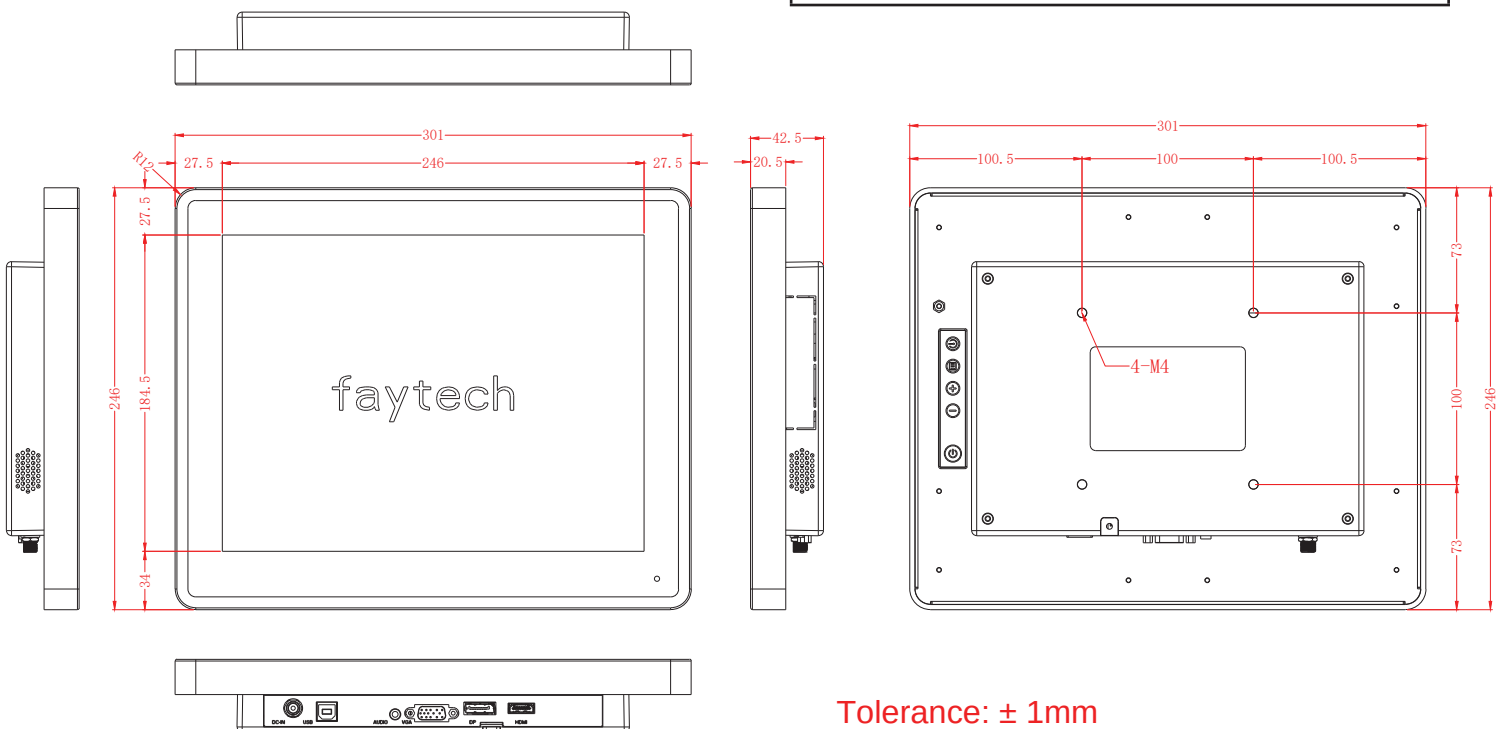
| External Connectors | |
|---------------------|--------------------------|
| Video | 1x HDMI 1.3 (incl. HDCP) |
| | 1x DP (v3) |
| | 1x VGA |
| | 1x DVI-D (v2) |
| Audio | 1x PC-Audio |
| Touch Connector | 1x USB |
| Connectors | 1x 12V DC-In (screwable) |

| Touch Panel | |
|-----------------------|--|
| Touch Technology | Projected Capacitive 10-point Multitouch |
| Touch Panel Drivers | Windows; Linux; Mac; Android |
| Touch Life (Contacts) | Unlimited |
| Surface Hardness | 7H |
| Surface Treatment | Anti-glare (chemical etching) |
| Glass Strengthening | Chemically Strengthened |

| Operation / Mechanical | |
|---|-------------------------------------|
| Operating Temperature (°C) | -10 ~ +60 |
| Humidity Range (RH) | 10% - 90% |
| Net weight (kg) | 1.20 |
| Gross weight (kg) | 2.20 (incl. cartonage) |
| Housing material | Rubber front, plastic ABS back case |
| Housing (mm) L × W × H | 301.0 × 246.0 × 42.5 |
| Cut-out for clamp supports (mm) L × H | 277.0 × 222.0 |
| Max. wall thickness for clamp supports (mm) | 5.0 |
| Amount of clamps required | 6 |
| Mounting | VESA 100 |

| Power | |
|--------------------------|--|
| Power Indicator | Green LED |
| Power Supply | 100-240V ACDC active switching; 12V DC-Out |
| Working Power (V) | 12 |
| Power Consumption (W) | 12 |
| Stand-By Consumption (W) | <1 |

| Included in the Delivery | |
|--------------------------------------|--|
| Power Supply (see Power section) | |
| Short Installation Manual | |
| Cables - VGA, USB Touch, Audio Cable | |
| Standard Stand | |



Tolerance: ± 1mm

Update Notes:

* Only the latest version can be ordered, previous versions are only for historic reference.

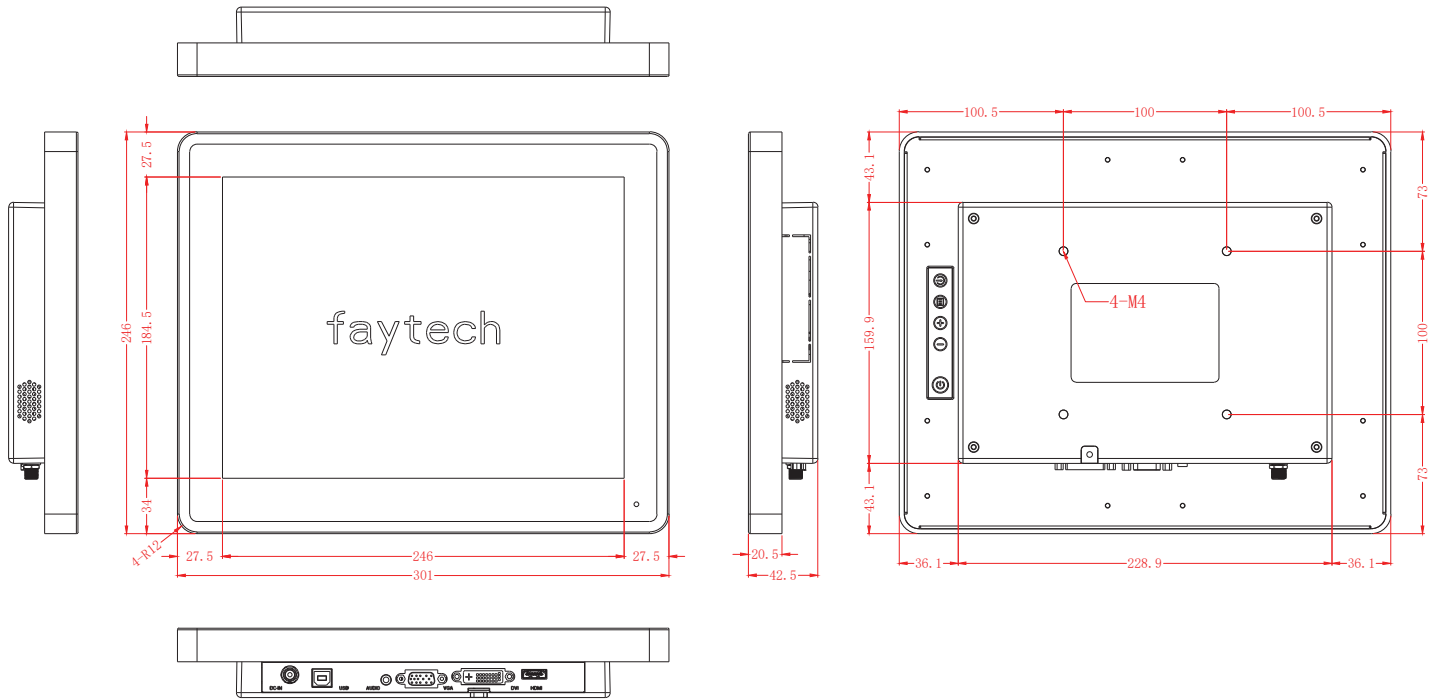
Version:

Changes:

v3 - Switching of the DVI-D connector to a DP connector
(*v3 drawing on previous page*)

v2 - First version

v2 drawing:



Corporate Headquarters

faytech AG

Bischhäuser Aue 10
37213 Witzenhausen
Germany

support@faytech.com
contact@faytech.com
www.faytech.com

Germany: +49 5542 30374 0

China: +86 755 89580612

USA: +1 646 843 0877

India: +91 11 49707436

Japan: +81 366 722 920

Korea: +82 10 3479 1815