

AFL-F08A 8" Flat-Bezel Panel PC

The new 8" panel is a full-flat surface touchscreen PC. The AFL-F08A includes all necessary input/output interfaces to control any subsystem or automation hardware in your office, business, or home. The new stylish design is easily integrated into any environment. The front panel is IP64 compliant. An optional projected capacitive touchscreen provides a multi-touch interactive user experience.

Features:

- 8.0" LED TFT-LCD with stylish Flat-bezel touchscreen
- Optional projected capacitive touchscreen supports multitouch
- Fanless system with Intel® Atom™ Processor N270 (512K Cache, 1.60 GHz, 533 MHz FSB)
- Hot keys controlled by cap-sensor in the front panel
- Optional color change kit matches the style of any decoration
- Wireless WI-FI LAN 802.11 b/g/n
- Integrated Bluetooth 2.0 module
- Build-in 300K pixel CMOS camera with low-light capability
- Two 1.5W speakers and microphone for multimedia applications
- IP64 compliant front panel
- IEI One Key Recovery solution allows you to create rapid OS backup and recovery (Suggest over 4GB storage capacity)



Full-flat Surface Touchscreen

The AFL-F08A flat-bezel design covers the entire front frame (bezel) of standard LCD to make the screen and bezel appear to blend together. The seamless flat-bezel touchscreen system offers a stylish and easy to clean surface.

Flat-Bezel Advantages:

- Better visual effects
- No edge effect
- Sleek and stylish
- Easy to clean



Applications:



OFFICE



LIVING ROOM



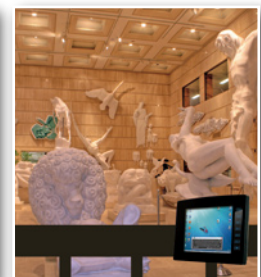
YACHTING



KITCHEN



AUTOMATION



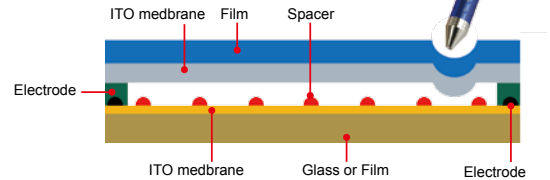
MUSEUM

■ 5-wire Resistive Touch Sensor



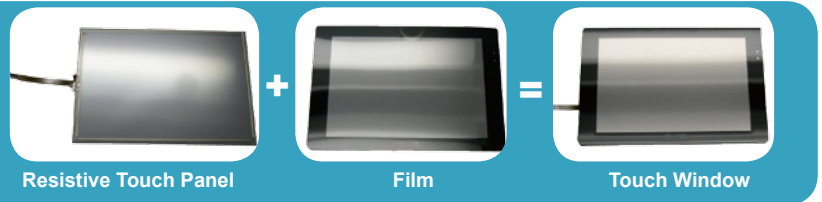
● Operational Theory

There are two major parts of resistive touch panel: ITO film and ITO glass. Two conductive layers are separated and isolated by the dot spacers scattered evenly on the ITO glass. Only when the proper activation force is applied onto the ITO film, these two conductive layers are contacted and the analog signal (the voltage) will be sent out to the touch panel controller then transferred into a digital signal for system processing.



Touch Window Architecture

The AFL-F08A utilizes touch window technology which consists of a decorative film overlay mounted in front of the touch panel to achieve the true-flat surface of a flat-bezel touch system.



■ Projected Capacitive Touch Sensor

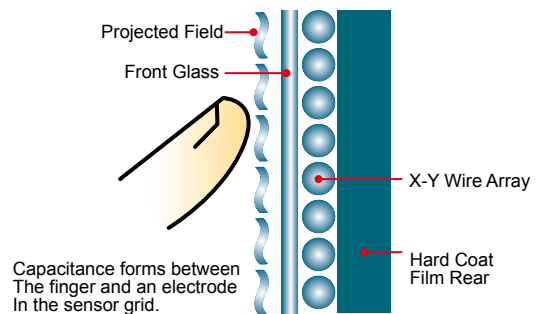
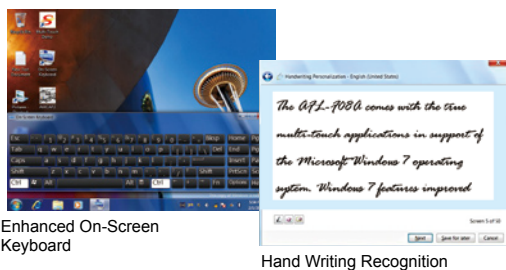
● Operational Theory

PCT is based on principle of embedding an array of micro-fine sensing wires within a multi-layer laminated screen behind a protective front surface, ensuring that the sensing medium is well-protected from accidental damage.



● Windows® 7 with Multi-touch Capable

The AFL-F08A comes with the true multi-touch applications Microsoft Windows 7 operating system. Windows 7 features improved touch and gesture support. With Windows 7, handwriting recognition is faster, more accurate, and supports more languages

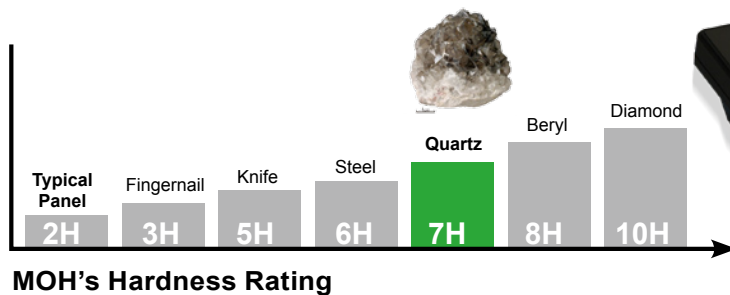


● Intuitive Multi-touch Display



● 7H Anti-scratch Surface (Projective capacitive type touch screen)

Projected Capacitive touch technology utilizes a durable glass front surface. 7H hardness is stronger than the conventional touch panel and therefore is able to protect the screen from damage.



● Multimedia Hardware Device Ready

Integrated webcam on the Panel PC, including a native 300K pixel; low-light function, and 30fps at VGA, is best suited for small-to-medium sized meetings and conferences held in facilities like local government councils, conference rooms, training and educational venues and company boardrooms without external device installation.



- VGA CMOS Camera**
- Auto white balance
 - Auto exposure
 - Auto compensation
 - Focus range of 25 cm to Infinity
 - Flip Control Option

Webcam Specifications

- VGA resolution image sensor
- Video resolution: 640x480, 352x288, 320x240, 176x144, 160x120.
- Frame rate: 640x480@ 30fps max.
- Storage Format of Image: AVI
- Storage Format of Photograph: BMP, JPEG



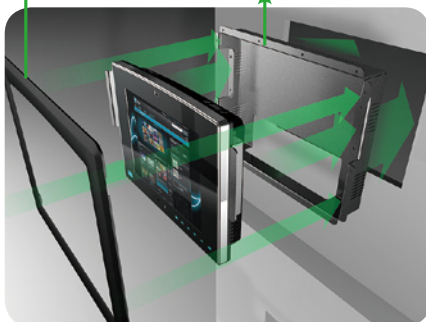
Picture Frame In-Wall Mount

This optional kit includes a decorative front plate and wall mount enclosure to securely house the AFL-F08A panel PC. The enclosure includes knockouts for power and I/O interface cables.



Decorative front plate

In-Wall Enclosure

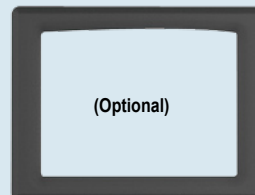


● Optional Decorative Kit:

DIM.
300mm x 230mm x 3.7mm



+



=



Restaurant Interactive Multi-touch Table

Applications



The AFL-F08A interactive system can be mounted in tables from which your customers can order, track and pay for their meal. The terminals can also be used to play digital games while waiting for the food to be served.



Casino Customer Relationship Management

Applications



The user friendly all-in-one system helps casino managers and dealers to identify players, calculate, and record winnings. Easy connection to peripherals such as card readers and ticket reader/printers. Convenient and reliable communication with system management and servers through LAN or Wireless LAN.



OS Ready for Applications

Windows® CE based Terminal easy for Application Development

Windows Applications



Note: OS image only support single touch

Application Development Support

- Win32 (C/C++)
- MFC (C++)
- NET Compact Framework (C# and VB .NET)
- ATL (Active Template Library)
- COM and DCOM
- XML
- JScript 5.6

Networking

- Standard Modem Support for Dial Up
- Networking
- Network Utilities (IpConfig, Ping, Route)
- TCP/IP, TCP/IPV6
- Windows Networking API/Redirector (SMB/CIFS)
- Winsock Support
- FTP Server, Web Server (HTTPD), Telnet Server

Windows® XP Embedded



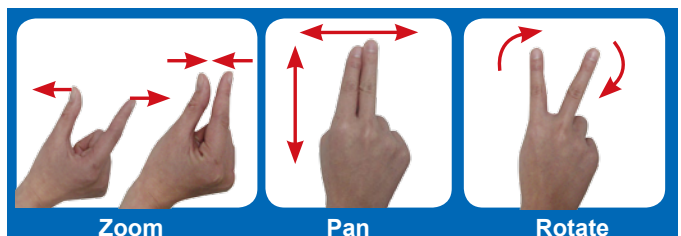
- Include:
- Window XPE OS image with license
 - Thin Client turnkey solutions



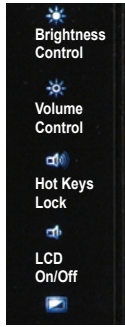
Windows® 7 Embedded

Multi-touch Scenarios:

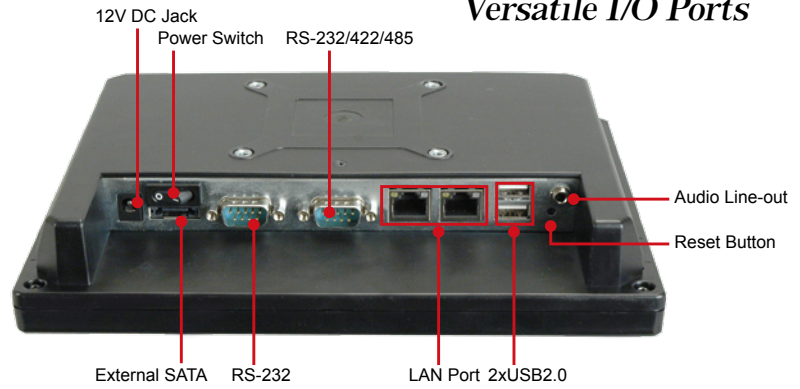
- Navigating the internet
- Reading and sorting email
- Viewing photos and video
- Playing casual games
- Navigating and arranging files, folders and windows.



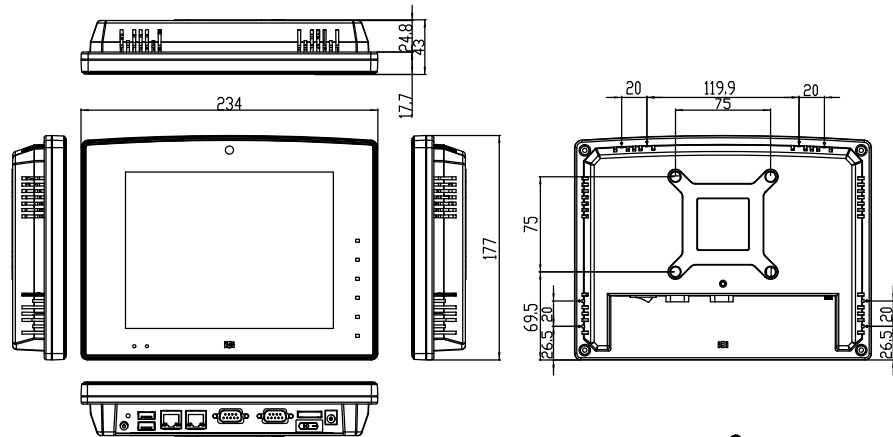
Hot Keys Controlled by Cap-Sensor



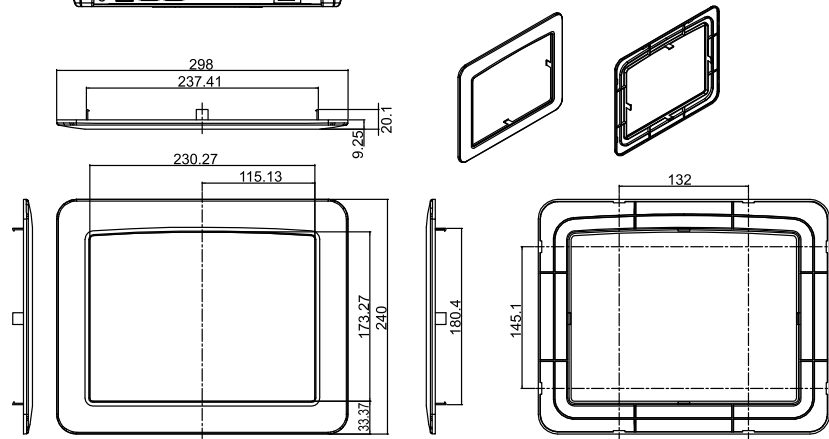
Versatile I/O Ports



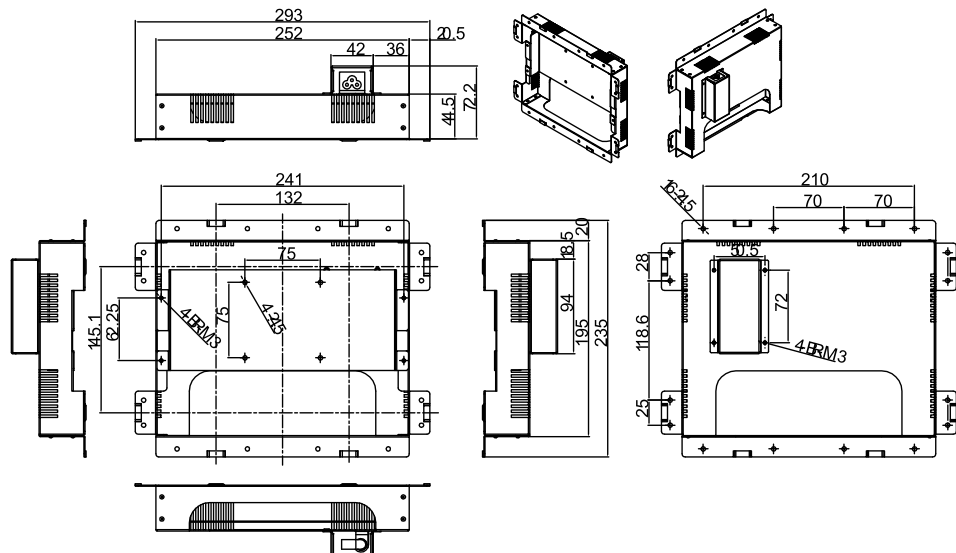
**AFL-F08A
Dimensions (Unit: mm)**



**Decoration Kit
Dimensions (Unit: mm)**



**In-Wall Cage
Dimensions (Unit: mm)**



Specifications



Model	AFL-F08A-N270	
LCD Size	8"	
Max Resolution	800 x 600	
Brightness (cd/m ²)	250	
Contrast Ratio	500:1	
LCD Color	262K	
Pixel Pitch (mm)	0.2025(H) x 0.2025(V)	
Viewing Angle (H-V)	140° / 130°	
Backlight MTBF	30000 hrs (LED Backlight)	
SBC Model	AFLMB-945GSE-N270-R10	
CPU	Intel® Atom™ Processor N270 (512K Cache, 1.60 GHz, 533 MHz FSB)	
Chipset	Intel® 945GSE + ICH7M	
RAM	Supports one 400MHz or 533MHz DDR2 SO-DIMM (2GB Max.)	
I/O Ports	1 x RS-232 COM Port 1 x RS-232/422/485 COM port 2 x RJ-45 for Giga LAN 2 x USB 2.0 1 x Power Switch	1 x Reset Button 1 x Audio Port (line-out) 1 x 12V DC Power Jack 1 x External SATA
SSD	CF Typell	
Watchdog Timer	Software programmable supports 1~255 sec. system reset	
Audio	AMP 1.5W + 1.5W (internal speaker)	
Wireless Connection	1 x Wireless Lan 802.11 b/g/n Module (internal Mini PCIe interface) 1 x Bluetooth V2.0 (internal USB interface)	
Camera	300k pixel webcam + Microphone	
Front Panel Construction	ABS + PC Plastic front frame	
Membrane Keypad	LCD On/Off, Brightness Up/Down, Volume High/Low by Cap-Sensor	
Mounting	In-Wall, Panel, Wall, Stand and Arm VESA 75mm x 75mm	
Front Panel Color	Black	
Dimensions (WxHxD) (mm)	234 x 177 x 43	
Operation Temperature (°C)	-10°C ~ 50°C	
Storage Temperature (°C)	-20°C ~ 60°C	
N/G Weight	1.8Kg	
IP Level	IP64 Front Panel	
Safety & EMC	CE / FCC / CB / CCC	
Touch Screen	Resistive Type 5-wire (Touch controller IC is on board) or projective capacitive type touch screen	
Power Adapter	63000-FSP036RAB608-RS 36W Power Adapter Input: 90VAC~264VAC, 50/60Hz Output: 12VDC	
Power Requirement	12VDC	
Power Consumption	32W	

Ordering Information

	Part Number	Description
Resistive Touch Panel	AFL-F08A-N270/R/1G-R21	8.0" 250cd/m ² SVGA Fanless panel PC with Intel® Atom™ N270 1.6GHz CPU,1GB DDR2 RAM,802.11 b/g/n WiFi,touch screen,Bluetooth,300K camera,microphone,RoHS
Projected Capacitive Multi-Touch Panel	AFL-F08A-N270/PC/1G-R21	8.0" 250cd/m ² SVGA Fanless panel PC with Intel® Atom™ N270 1.6GHz CPU,1GB DDR2 RAM,802.11 b/g/n WiFi, projective capacitive Multi-Touch Panel screen,Bluetooth,300K camera,microphone,RoHS

Options

Item	AFL-F08A-N270/R (Resistive type touch)	AFL-F08A-N270/PC (PCT type touch)
Panel Mounting Kit		AFLPK-12
Wall Mounting Kit		AFLWK-12
Rack Mounting Kit		AFLRK-08
ARM		ARM-11-RS / ARM-31-RS
Stand		STAND-A08 / STAND-100-RS / STAND-C12
VSTAND		VSTAND-A10
9-30VDC to 12VDC converter module		IDD-930160-KIT
OS: Win CE 6.0 (128 MB CF card)		AFLCF-F08-N270-CE060-R21
OS: Win XPE (1 GB CF card)		AFLCF-F08-N270-XPE-R21
OS: LINUX (2 GB CF card)		AFLCF-F08-N270-LNX-R21
OS: Win 7 Embedded (2 GB CF card)	AFLCF-F08-N270-WES7E-R21	AFLCF-F08-N270-WES7P-R21
Hybrid Card Reader		AFLP-08AMSI-U
Magnetic Stripe Reader		AFLP-08AMSR-U
DC 12V Input UPS		AUPS-A10-R10 (7.4V 3800mAH)
DC 9-36V Input UPS		AUPS-A20-R10 (7.4V 3800mAH)
In Wall Cage		AFLIWC-F08A-R10

Note: Multi-touch function is only supported on Windows 7 on PCT type touch.

Packing List

Item	Part Number	Q'ty	Specification
Screws Pack	44013-030041-RS	4	M3;5mm
Power Adpater	63000-FSP036RAB608-RS	1	90~264V AC; 12V DC; 36W
Power Cord	32000-000002-RS	1	1750mm; European Standard (EU or US, Which type of cord is shipped depends on the shipment country)
Utilities CD	7B000-000087-RS	1	
Touch Pen	43125-0002C0-00-RS	1	