

IDS-300-BW

Digital Signage System

New

Features

- Fanless system with Intel® Celeron® N3160 processor
- Three HDMI ports
- Two full-size PCIe Mini slots for expansion
- Four USB 3.0 ports
- Two GbE LAN ports



Specifications

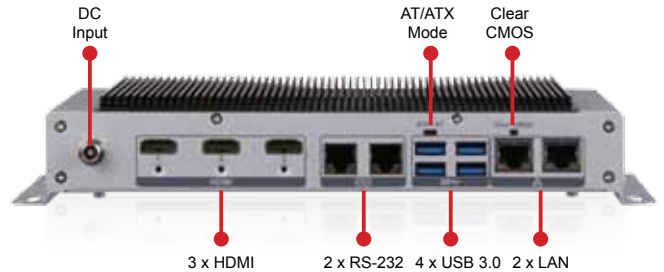
Model Name		IDS-300-BW
Chassis	Color	Silver
	Dimensions (WxDxH) (mm)	241 x 160 x 39
	System Fan	Fanless
	Chassis Construction	Aluminum alloys
Motherboard	CPU	Intel® Celeron® N3160 (up to 2.24GHz, quad-core, 2MB cache, TDP=6W)
	Chipset	SoC
	System Memory	1 x 1600/1333 MHz DDR3L SO-DIMM, 4 GB pre-installed (support up to 8GB)
Storage	Hard Drive	1 x 2.5" SATA 6Gb/s HDD/SSD Bay
I/O Interfaces	USB 3.0	4
	Ethernet	2 X RJ-45 PCIe GbE by RTL8111E controller
	RS-232	2 x RJ-45 RS-232
	Button	1 x Power button
	Display	3 x HDMI
	Resolution	HDMI 1: up to 2560x1600 @ 60Hz HDMI 2&3: up to 3840x2160 @ 30Hz
	Wireless	1 x 802.11b/g/n (optional)
Expansions	PCIe Mini	2 x Full-size PCIe Mini slot (one co-lay mSATA)
Power	Power Input	DC Jack: 12 V DC
	Power Consumption	12 V@2 A (Intel® Celeron® N3160 with 4GB memory)
Reliability	Mounting	Wall mount, VESA 75
	Operating Temperature	-20°C ~60°C with air flow (SSD), 10% ~ 95%, non-condensing
	Operating Shock	Half-sine wave shock 5G, 11ms, 3 shocks per axis
	Operating Vibration	MIL-STD-810F 514.5 C-1(HDD), MIL-STD-810F 514.5 C-2(SSD)
	Weight (Net/Gross)	1.8 kg/ 3kg
OS	Safety/EMC	CE/FCC
	Supported OS	Microsoft® Windows® 8 Embedded, Microsoft® Windows® Embedded Standard 7 E

Fully Integrated I/O

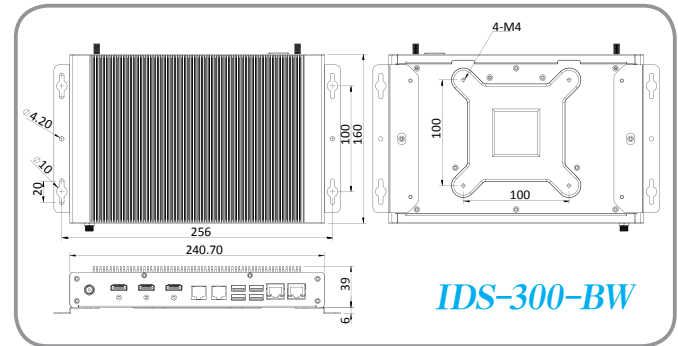
Front View



Rear View



Dimensions (Unit: mm)



Options

Part No.	Description
IDS-300-WES7E64-R10	OS Image with Windows® Embedded Standard 7 E 64-bit for IDS-300, DVD-ROM, RoHS
EMB-WIFI-KIT01-R11	1T1R Wi-Fi module kit for embedded system, IEEE802.11b/g/n, 1 x Wi-Fi module, 2 x RF cable, 2 x Antenna, RoHS

Packing List

1 x Utility CD	1 x Power Adapter	1 x Mounting Bracket
----------------	-------------------	----------------------

Ordering Information

Part No.	Description
IDS-300-BW-N3/4G-R10	Fanless embedded system with Intel® Celeron N3160 1.6GHz, (up to 2.24 GHz, Quad Core, TDP 6W), pre-installed 4GB DDR3L memory, 12V DC, triple HDMI display, RoHS