

Robot-TP-65M 6.5" Teaching Pendant

■ 6.5" control terminal, easy to use

- 800 nits high luminance control terminal with touchscreen to present its graphical user interface.
- 6-meter long all-in-one cable allows easy installation
- Ergonomic body design, easy to operate

■ Durable construction

- Completely dust and splash proof (IP 64) design
- 1 meter drop resistance
- 0°C~50°C extended operating temperature



■ Programming with 33-key membrane keypad and safety functions

(Emergency stop, 3-position dead-man switch, mode select switch with key)



Robot Controller



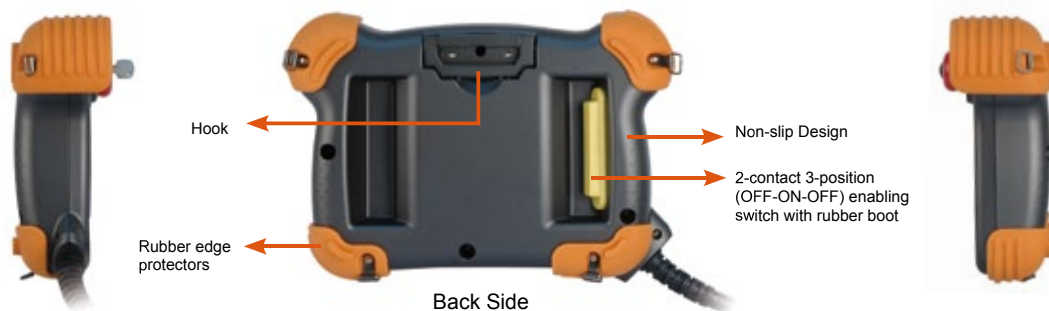
Mobile Display

■ Optimized keyboard layouts

Taking advantage of both real buttons the interface is straightforward for all users.



■ Equally suitable for right- or left-handed operation



■ Durable construction

Fully IP 64 waterproof protection: prevent damage from oil and gas.



Pass the 1 m drop test.



■ Emergency Buttons

(1) 3-position (OFF-ON-OFF) enabling switch

- Ergonomically-designed OFF-ON-OFF operation.
- Easy recognition of position 1 to 2 transition is made possible by a snap action switch.
- Sufficient difference in operating force is provided for shifting from position 2 to 3.

(2) Emergency stop

- Emergency stop switch can be reset either by pulling or turning.



Pull to reset



Turn to reset

■ Allows hours of fatigue-free working

- Adopts strap design to reduce user fatigue.
- Greatly enhance the efficiency of the operator.
- Allows the operator to release the hands to do other jobs.

Handheld front view



Handheld side view



Stably placed on the table



■ Friendly HMI operator interface (Optional)

Intuitive function menu



Convenient to switch between subfunction menus

Manual control mode



Include three motion modes and two coordinate modes for users to save information without hassles

Programming interface



Simple programming interface allowing users to edit robot motion paths

Automatic execution



Run the programmed commands automatically. The cyclic operation mode is also supported.

System alarm



Record alarm logs to understand the robot operation status

External I/O status



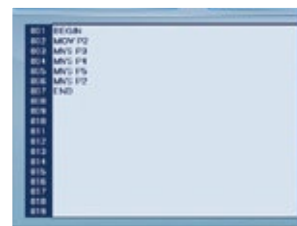
Visualize the operation status of all 64 inputs and 64 outputs

Virtual keyboard



Virtual keyboard eases data input

Online help



Online FAQ and help center

1

IEIMobile Solutions

2

Automation Panel Solutions

3

PACSmate Medical Solutions

4

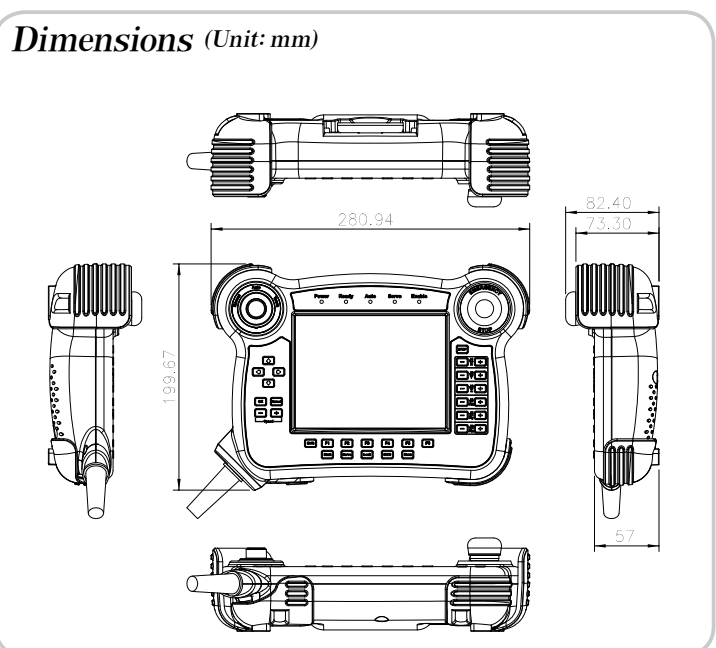
Optional Peripherals

Specifications

Model		Robot-TP-65M
Display	LCD Size	6.5"
	Max Resolution	640 (W) x 480 (H)
	Brightness (cd/m ²)	800
	Contrast Ratio	600:1
	LCD Color	262k
	Pixel Pitch (mm) (HxV)	0.207 x 0.207
	Viewing Angle (V/H)	140°/160°
	MTBF	50,000 hrs (LED backlight)
LED Indicator		5 LEDs (Power , Ready, Auto, Servo, Enable)
Touch Controller		Penmount DMC6000
IO Interface	Video Input	VGA
	Touch Interface	RS-232
	Power Source	12VDC Input
	Keypad Control Interface	PS/2
OSD Control		Software OSD
Operating	Switches & keys	Switches: Emergency stop, 3-position dead-man switch, Mode select switch with key Keys: Moving direction, OK, Cancel, Speed (-/+), Shift, Function (F1~F6), Start, Servo, Lock, MOD , Menu, Stop, Cursor
	Touch Panel	4-wire resistive type touch panel
Emergency Stop Button		For B contacts, 4 circuit outputs (forced disjunction type)
Deadman switch (Enable switch)		3-position type (OFF-ON-OFF), 2 circuit outputs
Mode Selection Switch		3-position (AUTO, MANUAL, TEACHCHECK), keylock switch. (switchable only with the key inserted)
Operating Temperature		0°C~50°C
Storage Temperature		-25°C~65°C
Humidity		<90% RH (no condensation allowed)
Vibration		Meet MIL-STD-810F
Drop Survival		1m (38 inch) 4 corners, 2 sides
Physical	Housing	ABS+PC
	Dimensions (LxWxH) (mm)	281 x 200 x 83
	Weight (N/W)	3.32kgs
	IP Rating	6-side IP 64 waterproof
	Color	Pantone 569C
Cable Length		6 meter
Power Consumption		6.6W

Ordering Information

Part NO	Description
Robot-TP-65M/K-ML-R10	6.5" 800cd/m ² VGA TFT LCD teach pendant with touch screen, key switch, 3-position dead-man switch, emergency button, 37-pin military connector, R10
Robot-TP-65M/K-R10	6.5" 800cd/m ² VGA TFT LCD teach pendant with touch screen, key switch, 3-position dead-man switch, emergency button, R10
Robot-TP-84M/K-ML-R10 Coming Soon	8.4" 250cd/m ² SVGA TFT LCD teach pendant with touch screen, key switch, 3-position dead-man switch, emergency button, 37-pin military connector, R10
Robot-TP-84M/K-R10 Coming Soon	8.4" 250cd/m ² SVGA TFT LCD teach pendant with touch screen, key switch, 3-position dead-man switch, emergency button, R10
Robot-TP-84M-R10 Coming Soon	8.4" 250cd/m ² SVGA TFT LCD teach pendant with touch screen, emergency button, R10



1

IEI Mobile Solutions

2

Automation Panel Solutions

3

PACsmate Medical Solutions

4

Optional Peripherals