

SBOX-100-QM87

Maritime Embedded System

New

Features

- Fanless marine computer with 4th Generation Intel® Core™ i5 dual-core processor
- -15°C ~ +55°C wide temperature
- Isolation protection
 - 4 x RS-232/422/485 isolated serial ports
 - Isolated 18 V~36 V DC input
 - 2 x Isolated CAN-bus 2.0B
- 2 x 2.5" SSD bay with RAID 0/1 function
- Supports IEI iRIS-2400 (IPMI 2.0 compliant)



Intel® Core™ i5 High Performance Computing Power in a Fanless Design

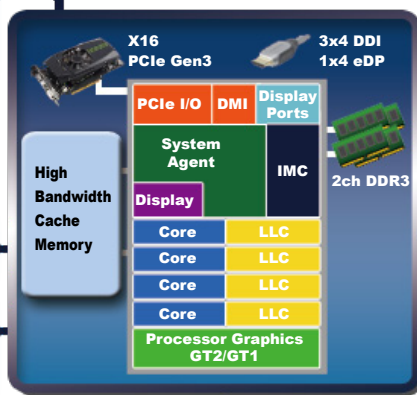
IEI's high performance marine solutions are built with the powerful Intel® Core™ i5 CPU within a fanless system architecture. No matter your applications are general marine system management, monitoring or conning systems, radar systems, or ECDIS navigation, IEI's marine computers will give you the most stability than ever.

- Improved CPU performance with Intel® 22nm 4th Generation Mobile Core™ i5-4400E 2.7 GHz processor
- Two 204-pin 1600/1333MHz dual-channel DDR3 SDRAM support up to 16 GB

Next Generation Intel® HD Graphics with DX 11.1, OpenGL 4.x, OpenCL 1.2

Fully Integrated VR

3 Independent Displays High Resolution DP v1.2, HDMI 1.4a



Built on 22nm process

Intel® Turbo Boost Technology

2 Ch DDR3L 1600 1/2 DIMM per Channel

Up to 4C and 8MB of Intel® Smart Cache

Intel® AVX 2.0 + Intel® AES new instructions and improvements



With IEI's fanless solutions, your vessels can avoid the bothersome of replacement of fan, increasing safety and efficiency for the crew and the entire ship.

Three independent aluminum heat sinks help the heat dissipate averagely, and help the system efficiently achieve wide operating temperature range between -15°C~55°C.

3 independent displays: HDMI, DVI, and VGA

The three simultaneously independent displays are supported via the on-board video output combinations of VGA, DVI and HDMI. This versatile combination of display output options makes the marine system ideal for multi-monitor required applications in the bridge room.

Display 1

Display 2



Multiple Isolated Ports for Comprehensive Protection against Electrical Surges

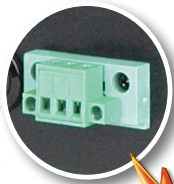
Ground loop and electric surges are common in the marine applications of electronic products due to the dense placement of devices. These stray electrical signals can cause equipment damage or malfunction.

■ 2.5 kV isolation protection on the RS-232/422/485

IEI marine computer is protected from any stray electrical signals from other devices on the ship. Electric surges that were generated from other electronic devices which often passed through serial lines to the marine computer can cause severe damage and malfunction to the computers.



■ Isolated 18 V~36 V DC power 2250 V DC Input to Output Basic Insulation



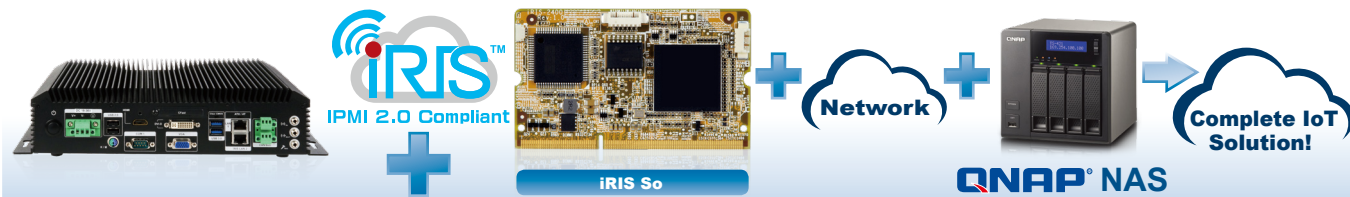
■ Two independent CAN 2.0B channels with 2.5 kV isolation protection

CAN 2.0B is a kind of marine electronic data network for communication between marine electronic devices such as chart plotters, navigation instruments, GPS receivers, etc.



IEI Remote Intelligent Management System

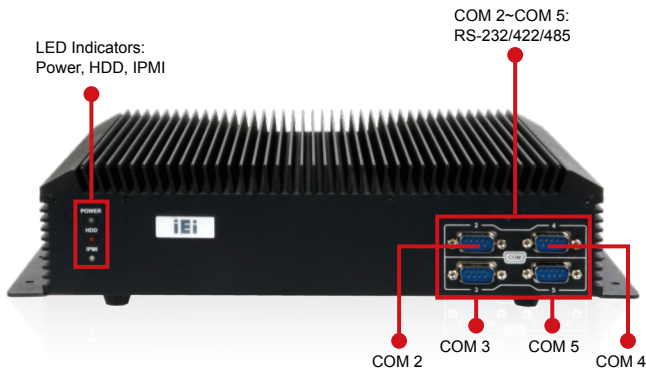
The marine computer supports IEI iRIS remote management solution which helps users to manage multiple devices through single management interface and elevates work efficiency. The iRIS solution only requires a module and Internet connection!



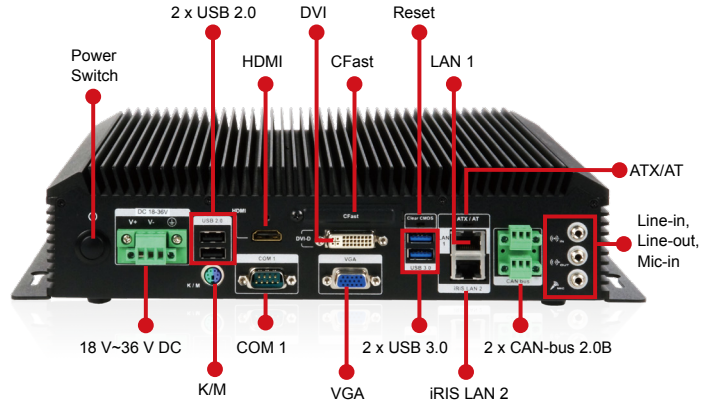
iRIS Key Feature	Detailed Functions	iRIS Key Feature	Detailed Functions
System health monitor	<ul style="list-style-type: none"> • Hardware monitor • Health log • Event log 	Screen record	<ul style="list-style-type: none"> • Remote video streaming record • Event Trigger Setting & video record
Remote system maintenance	<ul style="list-style-type: none"> • Remote BIOS update • Remote OS recovery • Remote KVM + One Key Recovery • Remote out-of-band backup 	Remote power control	<ul style="list-style-type: none"> • Reset Power • Power Off Server – Immediately • Power Off Server – Orderly • Power On Server • Power Cycle Server
Active alert & notice	<ul style="list-style-type: none"> • Send instant system alerts via e-mail • Send instant system alerts via SMS • Send instant system alerts to management server 	Remote troubleshooting	<ul style="list-style-type: none"> • Remote software update • Remote OS installation & recovery • Remote KVM • Post code display
Remote device control	<ul style="list-style-type: none"> • Fan control • Remote KVM • Remote setting BIOS 	Diagnose before dispatch	<ul style="list-style-type: none"> • Health log analysis • Event log analysis
		Group control	<ul style="list-style-type: none"> • Group control

Fully Integrated I/O

Front view



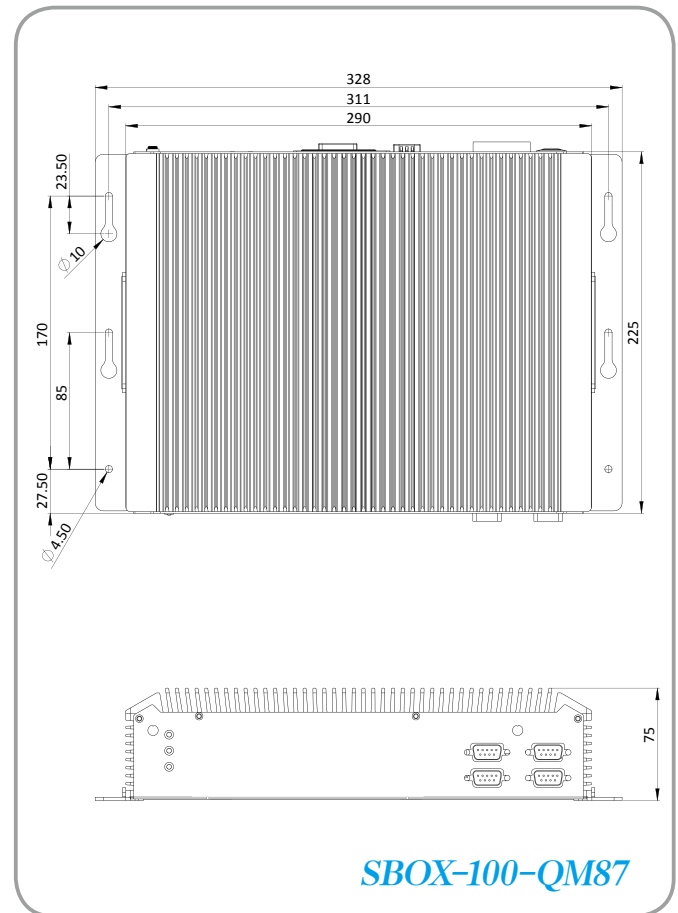
Rear view



Specifications

Model Name		SBOX-100-QM87	
Chassis	Color	Black	
	Dimensions (WxHxD) (mm)	290 x 225 x 75	
	System Fan	Fanless	
	Chassis Construction	Extruded aluminum alloy	
Motherboard	CPU	Intel® mobile Core™ i5-4400E (2.7 GHz, 37W)	
	Chipset	Intel® QM87	
	System Memory	2 x 204-pin DDR3 SO-DIMM slot (system max. 16 GB) Pre-installed 4 GB DDR3 SO-DIMM	
IPMI	iRIS Solution	iRIS-2400	
Storage	Hard Drive	2 x 2.5" SATA 6Gb/s SSD bay with RAID 0/1 function	
	CF Card/CFast	1 x CFast	
	PS2 (KB/MS)	1	
	USB 3.0	2	
I/O Interfaces	USB 2.0	2	
	Ethernet	2 x RJ-45 with teaming support 1 x PCIe GbE by Intel® I217LM 1 x PCIe GbE by Intel® I210-AT (2 with 2 kV isolation)	
	RS-232/422/485	1 x DB-9 (non-isolated) 4 x RS-232/422/485 (with 2.5 kV isolation)	
	CAN-bus/OBD-II	2 x CAN-bus (with 2.5 kV isolation)	
	Display	1 x VGA, 1 x DVI-D, 1 x HDMI	
	Resolution	VGA: Up to 1920 x 1200 @ 60 Hz HDMI: Up to 2500 x 1600 @ 60 Hz DVI-D: Up to 2500 x 1600 @ 60 Hz	
	Audio	1 x Line-out, 1 x Line-in, 1 x Mic-in	
	Wireless	2 x Antenna SMA hole (reserved)	
	Expansions	PCIe Mini	2 x Full size
	LED Indicator & Button	Indicator	Power (power on: green, power off: orange), storage (red, blinking), IPMI (blue)
Power Input		Terminal block: 18 V~36 V DC with isolation	
Power	Consumption	100 W (Intel® mobile Core™ i5-4400E with 4 GB DDR3 memory)	
	Mounting	Wall mount	
Reliability	Operating Temperature	-15°C ~ 55°C (5°F ~ 131°F) with air flow (SSD)	
	Storage Temperature	-20°C ~ 60°C (-4°F ~ 140°F)	
	Humidity	5% ~ 95%, non-condensing	
	Operating Shock		
	Operating Vibration	IEC 60945 and DNV 2.4 IASC-E10 compliant	
	Weight (Net/Gross)	4.08 kg / 6.03 kg	
	Safety/EMC	EMC/CE/FCC/DVN, IEC 60945 4th, IACS-E10, IEC 61174 compliant IP rating: IP22 compliant rear cover	
OS	Supported OS	Microsoft® Windows® Embedded 8, Microsoft® Windows® Embedded Standard 7 E	

Dimensions (Unit: mm)



Ordering Information

Part No.	Description
SBOX-100-QM87I-5/4G-R10	Fanless marine computer with Intel® Mobile Core™ i5-4400E 2.7 GHz processor, 4 GB DDR3 memory, iRIS-2400 supported, isolated 18 V~36 V DC, R10

Packing List

Item	P/N	Qty	Description
User Manual & Driver CD		1	Drivers and User Manual
PS/2 Cable	32006-000300-100-RS	1	PS/2 Cable
Rubber Pad & Screw Pack		1	Rubber Pad & Screw Pack