

PT-120PFN270 12" Intel ATOM FANLESS Panel PC

- True Fanless ATOM-N270 Panel PC
- IP65 in Front & Side Frame
- Easy Install HDD Tray
- Compact & Slim Design



Specifications

System

Motherboard Type	Intel
Form Factor	Mini-ITX
System Chioiset	Intel945GSE + ICH7M
CPU Supporting	Intel Atom N270
FSB	400MHz
DIMM Socket	DDR2 RAM(Up to 2GB) default 1GB
Graphic	Integrated Intel 945GSE
Audio	Realtek ALC662 6-Channel HD Audio CODEC
LAN Controller	Realtek RTL8111DL PCI-E Gigabit Ethernet LAN
I/O Connector	RJ-45 LAN × 1 / Serial port × 3(COM1 for RS-422/485) / USB Port × 4 / VGA Port × 1 PS/2 Mini DIN keyboard port & mouse port / Audio Line-in/out and Mic-in Jacks

Display

Size	12"; 1024 x 768
Contrast Ratio	400: 1
Brightness	250cd/m ²

Mechanical

Touch	Default Taiwan 5wire resistive touch
Device	default 160GB 2.5" SATA HDD
Power Supply	ADAPTER 12V/7A 84W (S-JACK-4) (RoHS)
Bezel	Stainless
Dimension	326 x 76.05 x 252 mm (W x D x H)
Operating Temp	0°~40°C (Fanless)
Relative Humidity	10%~90%@50°C , non-condensing
Vibration	5~17,0.1"double amplitude displacement,17~640Hz,1.5G acceleration perk to perk
Shock	10-25Hz(X,Y,Z direction 2G,30 minutes)
Features	IP65 in front & side frame

Features



■ IP65 in Front & Side Frame

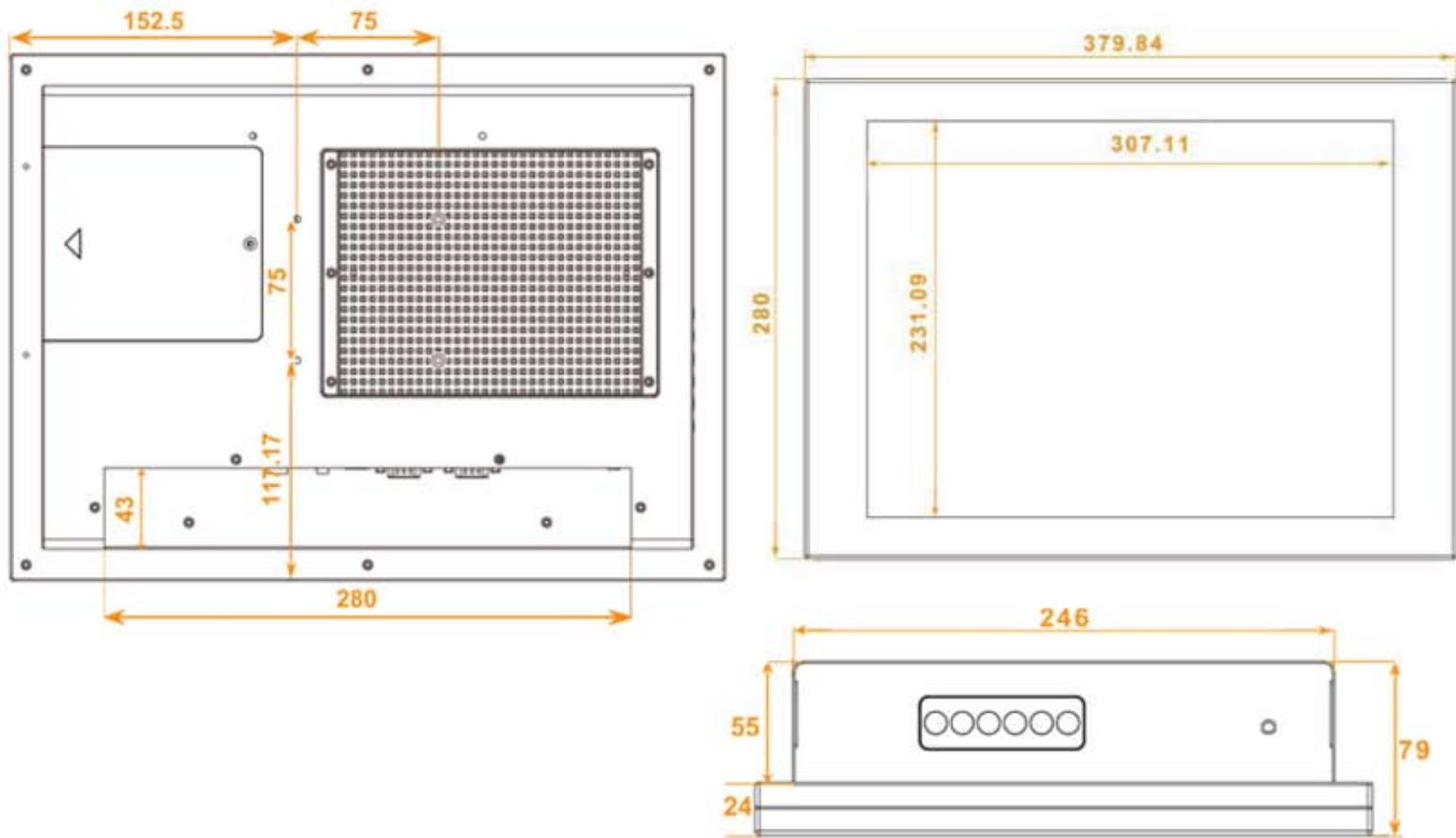


■ Ture Fanless Design

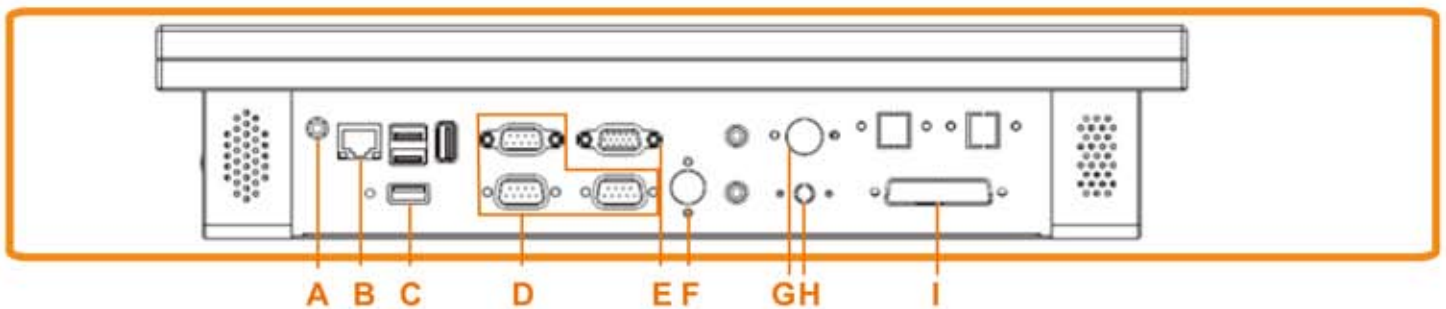


■ Ultra Slim Design

Dimensions



I/O Port



A. Audio Line Out/Optical SPDIF_Out

B. RJ45 Gbe Ethernet

C. USB 2.0 x 4

D. COM port x 3

E. VGA port

F. PS/2 mouse and keyboard port

G. 4 Pin 12V DC in

H. 12V DC in

I. Parallel Port