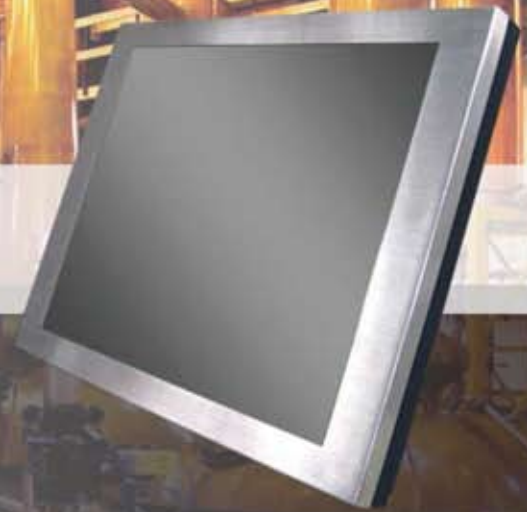


## PT-150PFN270

### 15" Intel ATOM FANLESS Panel PC

- True Fanless ATOM-N270 Panel PC
- IP65 in Front & Side Frame
- Easy Install HDD Tray
- Anti-vibration HDD kit
- Compact & Slim Design



### Specifications

#### System

Motherboard Type	Intel
Form Factor	Mini-ITX
System Chioiset	Intel945GSE + ICH7M
CPU Supporting	Intel Atom N270
FSB	400MHz
DIMM Socket	DDR2 RAM(Up to 2GB) default 1GB
Graphic	Integrated Intel 945GSE
Audio	Realtek ALC662 6-Channel HD Audio CODEC
LAN Controller	Realtek RTL8111DL PCI-E Gigabit Ethernet LAN
I/O Connector	RJ-45 LAN × 1 / Serial port × 3( COM1 for RS-422/485) / USB Port × 4 / VGA Port × 1 PS/2 Mini DIN keyboard port & mouse port / Audio Line-in/out and Mic-in Jacks

#### Display

Size	15"; 1024 x 768
Contrast Ratio	450 : 1
Brightness	250cd/m <sup>2</sup>

#### Mechanical

Touch	Default Taiwan 5wire resistive touch
Device	default 160GB 2.5" SATA HDD
Power Supply	ADAPTER 12V/7A 84W (S-JACK-4) (RoHS)
Bezel	Stainless
Dimension	379.84 x 79 x 280 mm (W x D x H)
Operating Temp	0°~40°C (Fanless)
Relative Humidity	10%~90%@50°C , non-condensing
Vibration	5~17,0.1"double amplitude displacement,17~640Hz,1.5G acceleration perk to perk
Shock	10-25Hz(X,Y,Z direction 2G,30 minutes)
Features	IP65 in front & side frame

### Features



■ IP65 in Front & Side Frame

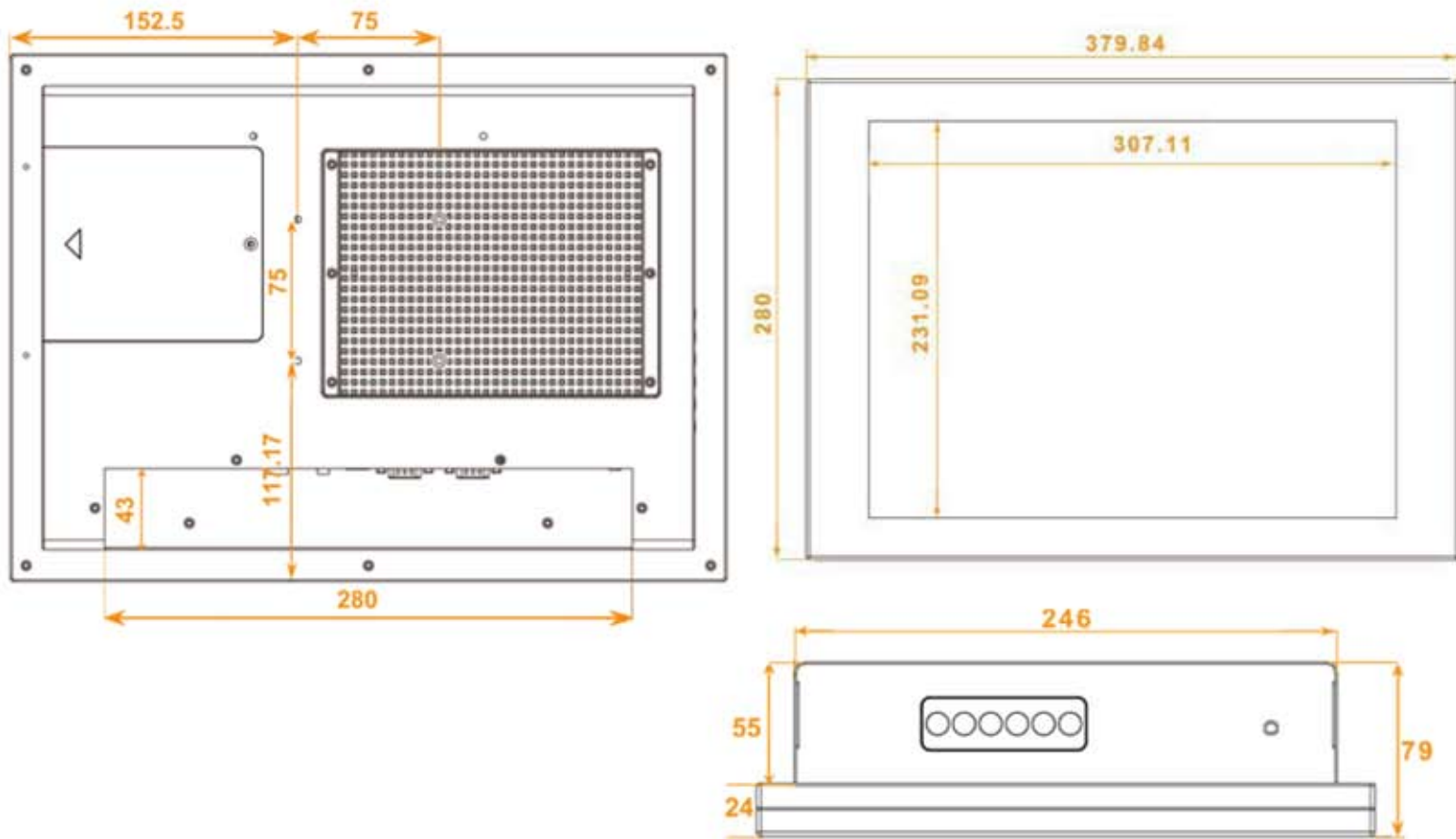


■ HDD Anti-Vibration Easy-install kit

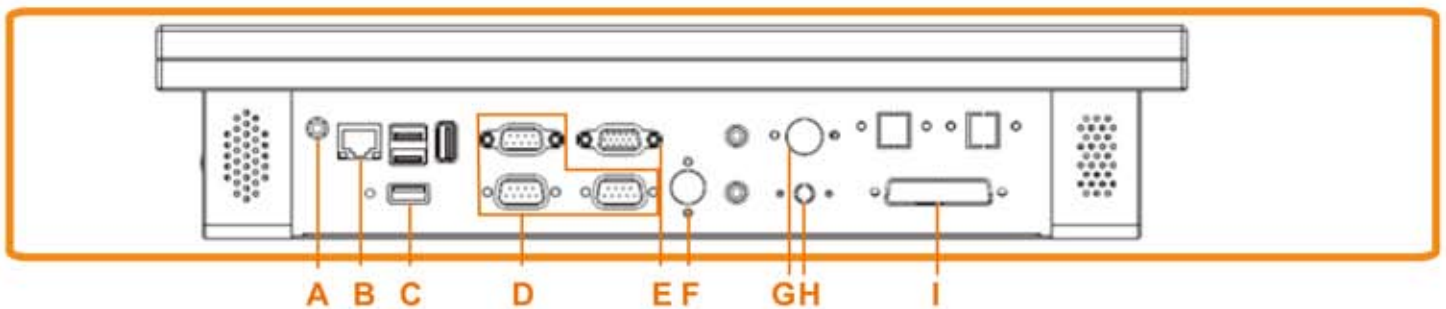


■ Ultra Slim Design

## Dimensions



## I/O Port



**A. Audio Line Out/Optical SPDIF\_Out**

**B. RJ45 Gbe Ethernet**

**C. USB 2.0 x 4**

**D. COM port x 3**

**E. VGA port**

**F. PS/2 mouse and keyboard port**

**G. 4 Pin 12V DC in**

**H. 12V DC in**

**I. Parallel Port**