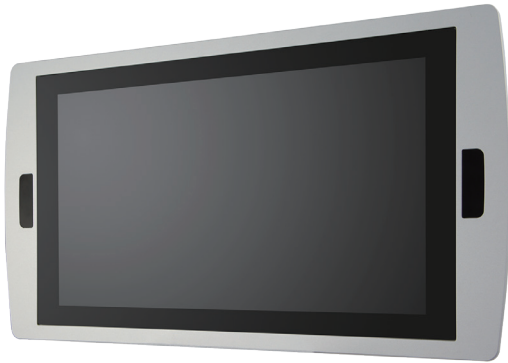


# ASTUT-W153-PC / ASTUT-W153-PC1S

## ASTUT G3 series

Intel® Pentium® Processor N3710 All-in-One Panel PC with Riser Card Expansion



15.6"



TAIWAN  
EXCELLENCE  
2016

### I/O View



ASTUT-W153-PC



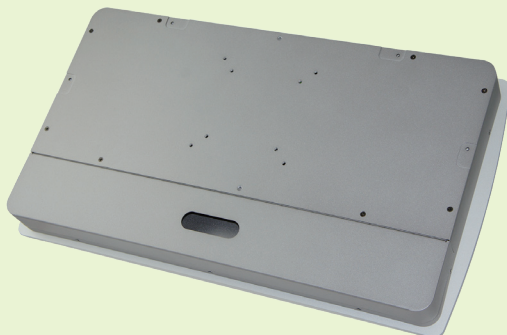
ASTUT-W153-PC1S

## Features

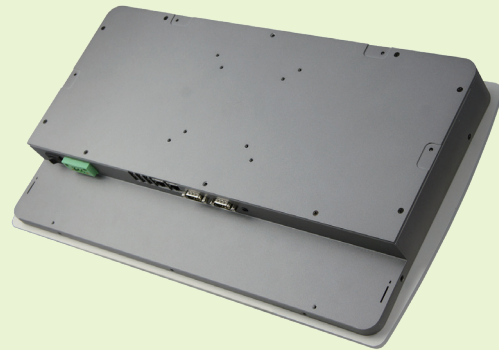
- Digitizer touch pen support
- Optional wireless communications
- Full flat bezel design



- I/O cover for cables arrangement



- Aluminum housing, perfect thermal design



- 12V~24V DC  $\pm$  20% wide-range power input



# ASTUT-W153-PC / ASTUT-W153-PC1S

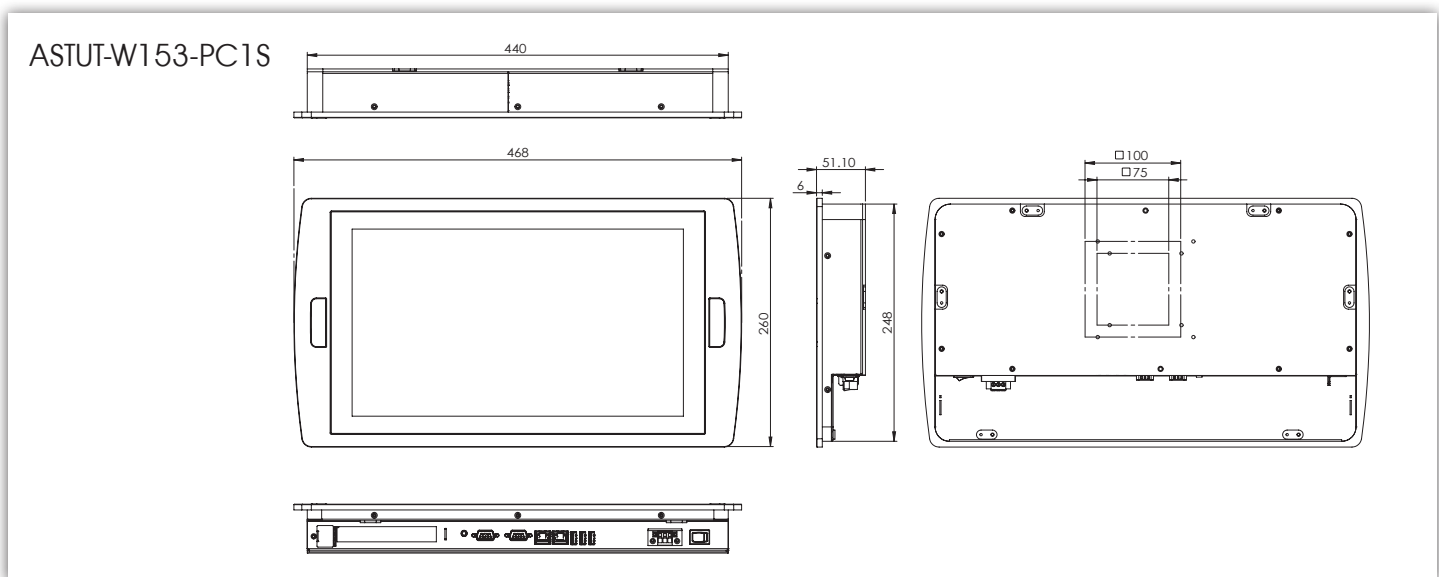
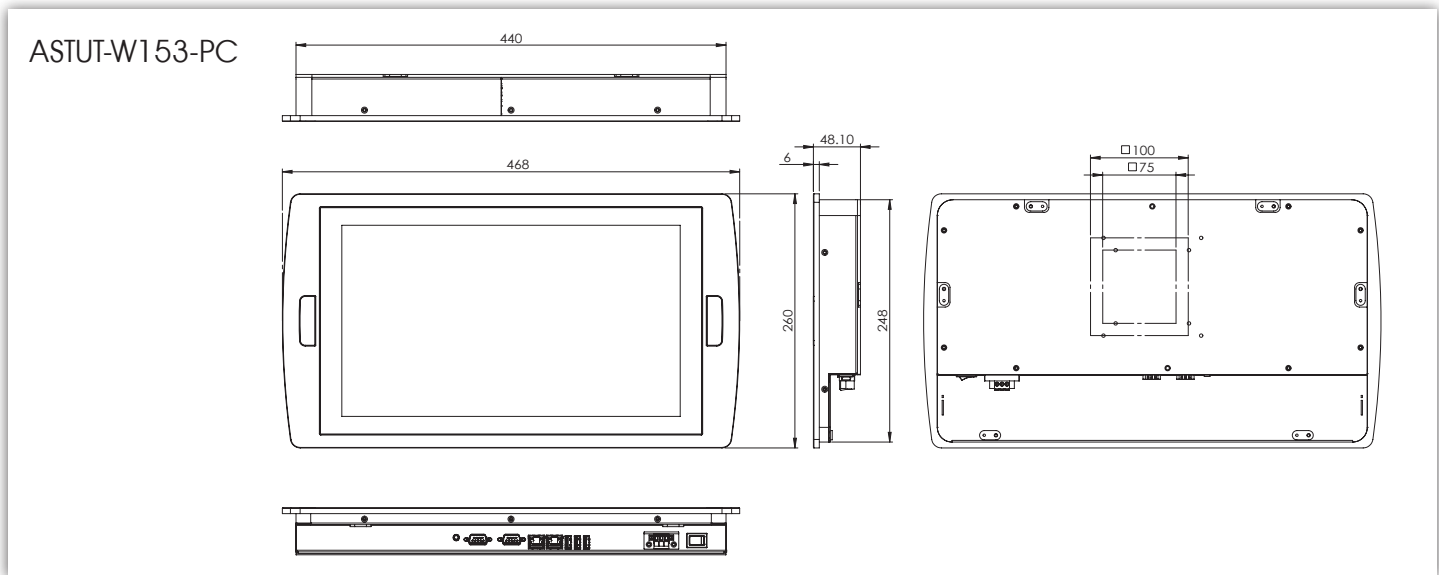
## Specifications

Model No.		ASTUT-W153-PC	ASTUT-W153-PC1S
<b>Display &amp; Touch Screen</b>	Display Size	15.6" TFT-LCD	15.6" TFT-LCD
	Max. Resolution	1366 x 768	1366 x 768
	Luminance (cd/m <sup>2</sup> )	300	300
	Contrast	500:1	500:1
	Max. Color	16.7M	16.7M
	View Angle (H°/V°)	160/160	160/160
	Backlight Lifetime(hrs)	50000	50000
	Touch Type	Projected capacitive	Projected capacitive
	Touch Interface	USB	USB
	Light Transmission (%)	85	85
	Point of touch	2	2
<b>I/O Interface</b>	USB 3.0	3	3
	USB 2.0	0	0
	RS-232/422/485 Selectable under BIOS	1	1
	RS-232	1	1
	LAN	2x GbE	2x GbE
	Additional Graphics	None	None
	Audio	Line-out	Line-out
	Digital I/O	None	None
	Power Connector	3-pin terminal block	3-pin terminal block
	Power Button	Rock switch	Rock switch
<b>Mechanical</b>	Dimensions (mm)	468 x 260 x 48.1	468 x 260 x 51.1
	Net Weight (kgs)	6	6
<b>System</b>	Processor	Intel® Pentium® Processor N3710 4 Cores @ 1.6GHz	Intel® Pentium® Processor N3710 4 Cores @ 1.6GHz
	Memory	1x DDR3L SO-DIMM, up to 8GB, default DDR3L 4GB	1x DDR3L SO-DIMM, up to 8GB, default DDR3L 4GB
	Thermal Design	Fanless	Fanless
	Membrane Control	None	None
	Built-in Speaker/MIC	2x Speaker	2x Speaker
<b>Expansion</b>	Internal Expansion Bus	1x Mini PCI-E half/full size 1x Mini PCI-E half size	1x Mini PCI-E half/full size 1x Mini PCI-E half size
	Expansion Slot	None	1x PCI-E (x1)
	Wireless	Optional Wi-Fi/BT	Optional Wi-Fi/BT
<b>Storage Space</b>	HDD	1x 2.5" SATA	1x 2.5" SATA
	Removable	None	None
<b>Power</b>	Power Input Range	12V~24V DC	12V~24V DC
<b>Construction</b>	Chassis Material	Aluminum sliver with front bezel hairline	Aluminum sliver with front bezel hairline
	Color (Front/Back)	Silver / Silver	Silver / Silver
	IP Rating	IP65 front bezel	IP65 front bezel
	Mounting	Panel mount and VESA 75x75, 100x100 mm	Panel mount and VESA 75x75, 100x100 mm
<b>Environment</b>	Operating Temperature	0°C ~ 50°C	0°C ~ 50°C
	Storage Temperature	-20°C ~ 60°C	-20°C ~ 60°C
	Storage Humidity	10%~90% (non-condensing)	
	Certification	CE/FCC Class B / CCC	
	Operating System Support	Windows 10, Windows 8.1 64bits, Windows 7 64 bits	

1 Stainless Steel Panel PC | 2 All-in-one Panel PC with Riser Card Expansion | 3 Compact Panel PC | 4 Outdoor Panel PC | 5 Heavy-Duty Industrial Panel PC | 6 ARM-Based Panel PC | 7 ARM-Based HMI

# ASTUT-W153-PC / ASTUT-W153-PC1S

## Dimensions



## Ordering Information

ASTUT-W153-PC	15.6" 1366 x 768 panel PC, Intel® Pentium® processor N3710, Projected capacitive touch screen, optical bounding, 4GB DDR3L memory, 64GB 2.5" half size open frame SSD, 12~24V DC $\pm$ 20% power input, w/o adaptor
ASTUT-W153-PC1S	15.6" 1366 x 768 panel PC, Intel® Pentium® processor N3710, Projected capacitive touch screen, optical bounding, 4GB DDR3L memory, 64GB 2.5" half size open frame SSD, 1x PCI-E (x1), 12~24V DC $\pm$ 20% power input, w/o adaptor
Power adaptor (optional)	AC 90V~240V input, 12V DC output 84W power adaptor IBASE P/N: A005PS084W0050000P