

Poindus



Poindus Systems Corp.

6F., No. 1, Lane. 28, Xingzhong Rd.,
Neihu Dist., Taipei City 114, Taiwan(R.O.C.)

Tel: +886-2-77214688

Fax: +886-2-77212289

E-mail: sales@poindus.com

www.poindus.com

Enlighten Your Healthcare IT Business

VariCura: All-in-One Medical Computing Terminal

Poindus www.poindus.com

The Unique Medical IT Solution



The VariCura is essential PC technology for busy hospital settings that demand workspace flexibility and the latest features to deliver and manage patient care. This all-in-one PC frees up space and can be mounted on a wall or medical cart to be used where needed: patient rooms, operating rooms, or labs. 15" and 19" LCD available for VariCura. With the capability to scan barcodes, RFID, and fingerprints, and read smart cards, this all-in-one PC eliminates the need for other peripherals because everything can be done on one piece of hardware: the VariCura. The optional webcam and Skype VOIP can be used for telemedicine in the operating room or to collaborate with other medical professionals. Versatile features, all in one space saving package.

High Performance for Medical Apps

The Intel® dual core D510 CPU or Intel Core-i3/i5 CPU gives power users the performance needed to run demanding medical applications. Poindus can customize your unit to meet your needs; you can opt for a solid state hard drive, and Poindus can also install OS and productivity software for you so that you are ready to go when you open the box.

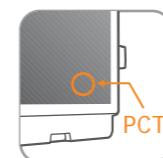
Flexible Mounting Options

To provide greater flexibility, the VariCura can be wall-mounted using standard 100 x 100 mm VESA mounting holes. In a patient room, this enables the patient to view the VariCura from a lying or sitting position in the bed or bedside chair, and allows the medical staff to turn it away from the patient when required. The unit can also be installed on a mobile cart that nurses and medical staff can move near the patient's bed or from room to room.

Medical Grade Quality and Support

At Poindus, we stand behind the quality of our products, and we provide warranty service support in the business. We're always here to help you with customization and personalized support to help you fulfill the demand of medical all-in-one computing solution to fit your budget and timeline.

VariCura Design & Features



Projected Capacitive Technology (PCT)



True flat surface
No dead-corner for cleaning



The Solid IP66 Water & Dust prove certification



Double Glove usage
for critical care

Multi-touch improves your work efficiency



Antimicrobial for Disease
and Infection Control

Compatible with Windows 7 & Intel CPU



HL7 & DICOM image compliant



Fanless and
Silent running



Flexible product
configuration

Multi layer security



Wireless Communication



Medical image or
video capture option

Medical certification



Case Study

Bedside Infotainment Terminals

Optimized Hospital dataflow Maximum Healthcare Efficiency

Voluminous documentation, stringent security requirements and demanding patients – many challenges, one solution. The mission of VariCura Bedside Terminal is to maximum hospital care process efficiency and enhance patient stay experience. It will function as a normal TV, also function as an interactive tool on educational videos on demand and access to hospital information system (HIS) to get patient's record (EMR/PHR) for diagnosis. There is no doubt, VariCura enables hospitals to deliver eLearning, communication, access to clinical solutions and digital entertainment—all at the bedside

Capability

- Enhances workflow and data management
- Reducing risk and increased security of general patient care.
- Secure HL7 protocol compliant
 - Remote client connectivity
 - Citrix
 - Terminal Client
 - VMware
- Integrated hospital communication Phone, Pager, Nurse call
- Provide more real time Healthcare service
 - PACS, EMR
 - Telemedicine
 - Bed management
 - Room automation
 - Patient information and education
 - Patient registration and feedback
 - Meal ordering
 - Assisted nurse call

Why VariCura?

- The Ultimate multi-touch all-in-one medical terminal
- State-of-the-art Intel Duo Core processor
- Zero bezel design, easy cleaning and Stylish
- Variety selection of accessory
- Tidy cable management
- Comprehensive and cost saving solution



Vari mounting ARM



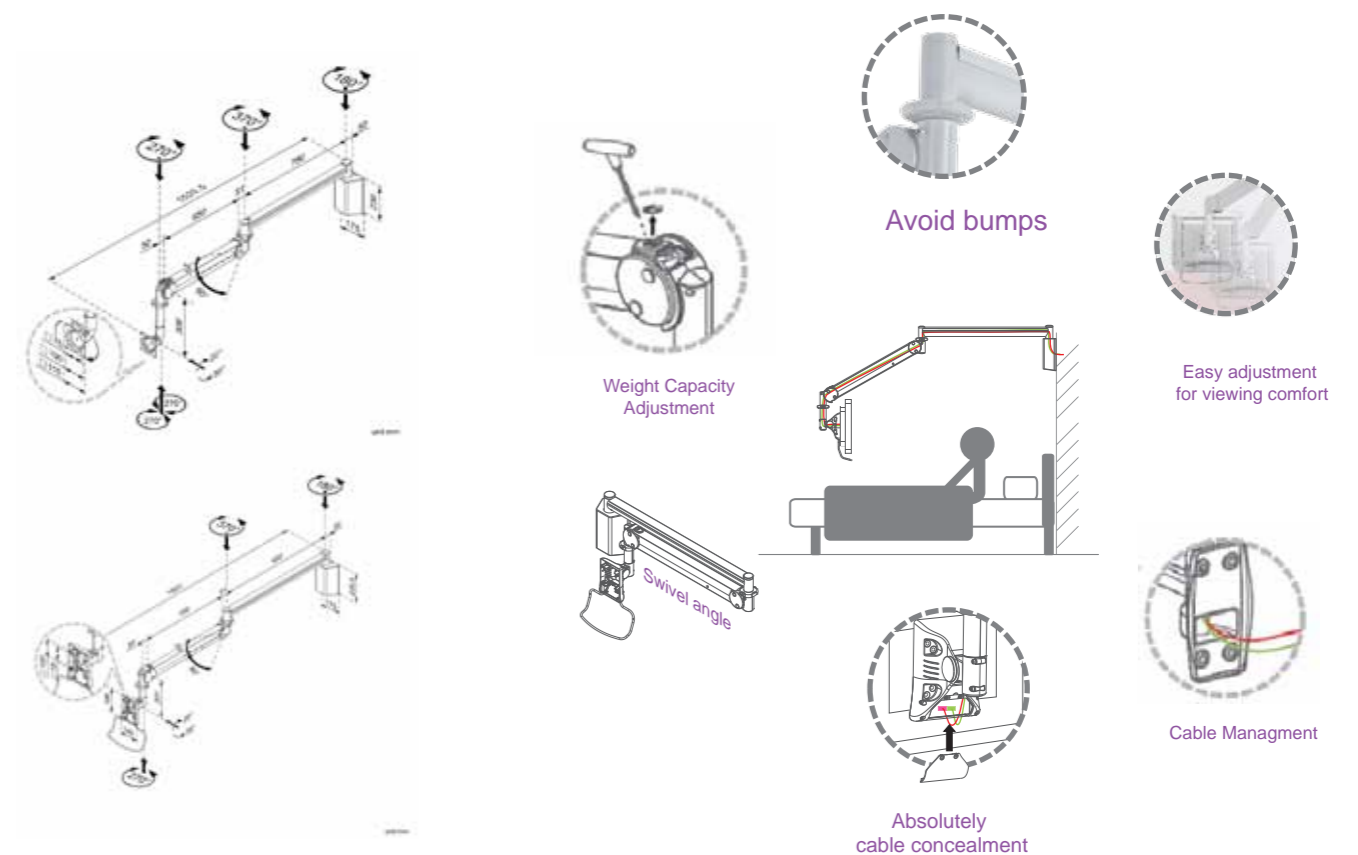
Feature

- Gas spring inside
- Cable management
- Powder or Anti-bacteria coating
- Prevent collision
- Absolutely cable concealment
- Wide swivel angle
- Handle design

Ordering Information

Long Swivel ARM: 1857mm long swivel ARM including holder and 3 meter power, LAN cable

Short Swivel ARM: 1520mm short swivel ARM including holder and 3 meter power, LAN cable



Case Study

Nursing informatics

Ergonomic, Lightweight & Powerful Mobile Computing

The selection of a mobile computing cart is about high-performance processing, a powerful battery system and a simple-to-use product. That's why we deliver the total solution of wirelessly & powerfully slim-line Medical terminal along with ergonomic, lightweight medication cart, plus high efficiency battery system for anytime and anywhere access of successful medication administration. Connecting physicians, nurses and other care team members with up-to-date patient information and messages translate into better care, increased productivity and greater satisfaction.

Benefits

- High efficiency power system for run times of 8+ hours
- Safe, ergonomic and ultra-lightweight maneuverability
- Powerful computing system improves workflow and accuracy
- Wireless connectivity
- Multi security protection and storage area
- Flexible selection of convenience accessories
- Modular design with reliable quality

Features

- **All -in-One Computing platform & Thin client**
 - High performance, Intel i5/i3 dual Core processing
 - WIN 7 perfect match medical terminal
 - Leading PCT Multi-touch solution
 - 15" or 19" high brightness and wide viewing angle LCD
 - Medical certification
- **Trim-line and Stable Trolley framework**
 - Compact, light weight easy movement
 - Modular bin / storage drawer
 - Retractable keyboard / mouse tray
 - Intelligent wireless remote security control
 - Integrated power conditioning system
- **Brilliant Battery Management**
 - 200/400 watt-hours battery support
 - > 1500 cycle times
 - Non-explosive lithium iron phosphate batteries



Case Study

Potential applications

- Bedside Infotainment
- Patient Monitoring
- Nursing Information System
- Electronic Medical Record (EMR)
- Lab Information System
- Pharmacy
- Medicine dispenser
- Patient Monitoring
- Ambulance
- Emergency Room
- Clinical



Desktop Stand 100x 100 VESA mount (MOQ:200pcs)



VariCura 715 / 715A

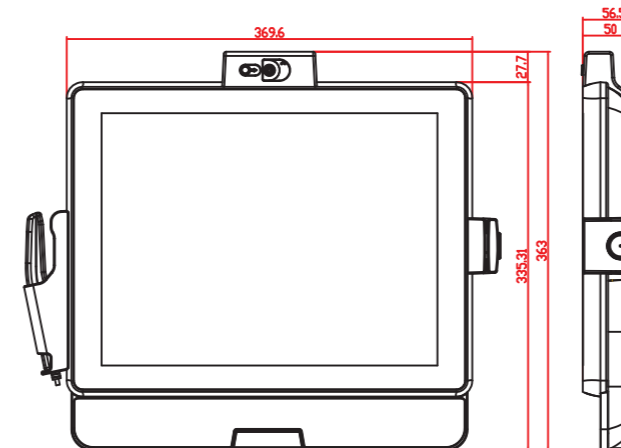


Features

- 15" high brightness, wide viewing angle LED panel
- Wipe-clean peerless all-in one terminal
- Intel® Dual Core Pineview D510 / D525 processor
- Triple security smart card reader, barcode scanner and RFID
- Interactive communication: Web CAM & VoIP Phone communication
- MRSA Anti-bacteria coating
- 802.11 a/b/g/n WLAN & BT option
- Medical Certification

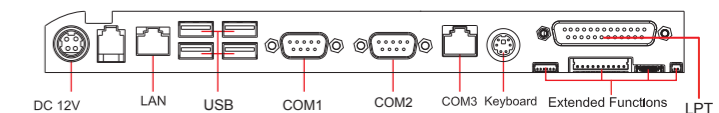


Dimensions

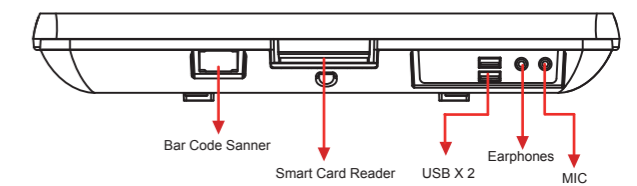


IO Interface

VariCura 715 / 715A Internal Interface



Outside Interface



	VariCura 715	VariCura 715A
CPU	Intel® Pineview D510 (Dual Core) 1.66GHz with L2 Cache 1MB	Intel® Pineview D525 (Dual Core) 1.8GHz
Chipset	Intel® Pineview + ICH8M	Intel® Pineview + ICH8M
System Memory	Up to 2GB, 1 x SO-DIMM DDRII 667	Up to 4GB, 1 x DDRIII SO-DIMM 800
Storage	1 x SATA (2.5") HDD /SSD	1 x SATA (2.5") HDD /SSD
Display		
TFT LCD	15" 4:3 backlight	15" LED backlight
Brightness	400 nits	400 nits
Max. Resolution	1024 x 768	1024 x 768
Max. Colors	16.2M	16.2M
View Angle	80 / 80(H Right/Left) 80 / 60 (V Upper/Lower)	80 / 80(H Right/Left) 80 / 60 (V Upper/Lower)
Contrast Ratio	700 :1	700 :1
Back Light MTBF	50,000 Hours	50,000 Hours
Projected Capacitive Touch		
Transparency	90% ± 3	90% ± 3
Haze rate	<4%	<4%
Activity	100 million times	100 million times
IO ports		
USB Port	4 x USB2.0 (2 on IO bracket, 2 on bottom IO)	4 x USB2.0 (2 on IO bracket, 2 on bottom IO)
Serial Port	3 x RS-232 w/RI/5V/12V power (COM1/2 : DB-9, RS-232, COM3 : RJ-48)	3 x RS-232 w/RI/5V/12V power (COM1/2 : DB-9, RS-232, COM3 : RJ-48)
Video	1 X D-sub VGA (optional)	1 X D-sub VGA (optional)
Audio	1 x Line out / MIC in	1 x Line out / MIC in
LPT Port	1 x Parallel port	1 x Parallel port
K/B & Mouse	1 x PS/2 Keyboard	1 x PS/2 K/B
Network (LAN)	1 x Gigabit LAN (Support Wake-on-LAN function)	1 x Gigabit LAN (Support Wake-on-LAN function)
Expansion	1 x Internal Mini Card (full size Mini PCIe)	1 x Internal Mini Card (full size Mini PCIe)
Speaker	2 x 2W Speakers	2 x 2W Speakers
Digital IO	4 in 4 out	4 in 4 out
Mechanical Environment		
Power Supply	12V	12V
AC/DC Adapter	12V, 6A 72W medical adapter	12V, 6A 72W medical adapter
OS Support	Windows® 7 / Windows® XP Embedded / Windows® XP Pro Embedded / Linux Redhat / Fedora Core	Windows® 7 / Windows® XP Embedded / Windows® XP Pro Embedded / Fedora Core
Water/Dust Resistance	Front panel IP66, IPX1 enclosure certification	Front panel IP66, IPX1 enclosure certification
Operating Temperature	0°C ~ 40°C (32°F ~ 104°F)	0°C ~ 40°C (32°F ~ 104°F)
Vibration Resistance	Random/Operation 1.5G, 5 ~ 500Hz	Random/Operation 1.5G, 5 ~ 500Hz
Shock Resistance	20G Peak Acceleration (11ms. Duration) in operation	20G Peak Acceleration (11ms. Duration) in operation
Infection Control	Anti-microbial bezel material (MRSA, Staphylococcus aureus, Escherichia coli)	Anti-microbial bezel material (MRSA, Staphylococcus aureus, Escherichia coli)
EMC / Safety	CE/FCC Class B, EN60601-1	CE/FCC Class B, EN60601-1
Dimensions (W x H x D)	409 x 336 x 57mm	409 x 336 x 57mm
Net Weight / Gross Weight	5.8KG including all accessory	5.8KG including all accessory
VESA Mounting	VESA 100	VESA 100

Ordering Information

VariCura-715-A1-PCT-LPT	15" Medical terminal, D510 1.66G, PCT - white touch, 1G RAM, 160G HDD, medical adapter
VariCura-715A-A1-PCT-LPT**	15" Medical terminal, D525 1.8G, PCT - white touch, 2G RAM, 160G HDD, medical adapter

** VariCura 715A is required minimum order quantity.

Optional Items

WiFi	WLAN 802.11 a/b/g/n, Mini card interface
Web Camera	1.3M pixel camera with shutter
Smart Card reader	Read & Write Smart card reader module, ISO7816, GSM, EMV, PS/SC, WHQL protocol compliant
RFID (either or with smart card)	13.56MHz, ISO14443A, Mifare
Barcode scanner	2D Barcode scanner, Code 39/UPC/EAN/Data Matrix/PDF417 symbology
VOIP phone	Skype phone
MSR module	ANSI/ISO Standards 7810, 7811 1/5, 7812 & 7813. It can read both Lo-Co card and Hi-Co cards
MSR + Finger printer module	MSR + Finger printer module
Power cable	300cm Extension power cable, For Swivel ARM and Cart /Trolley application
Long Swivel ARM	1857mm Long Swivel ARM including holder and 3 meter power, LAN cable
Short Swivel ARM	1520mm short Swivel ARM including holder and 3 meter power, LAN cable

VariCura 719 / 719A



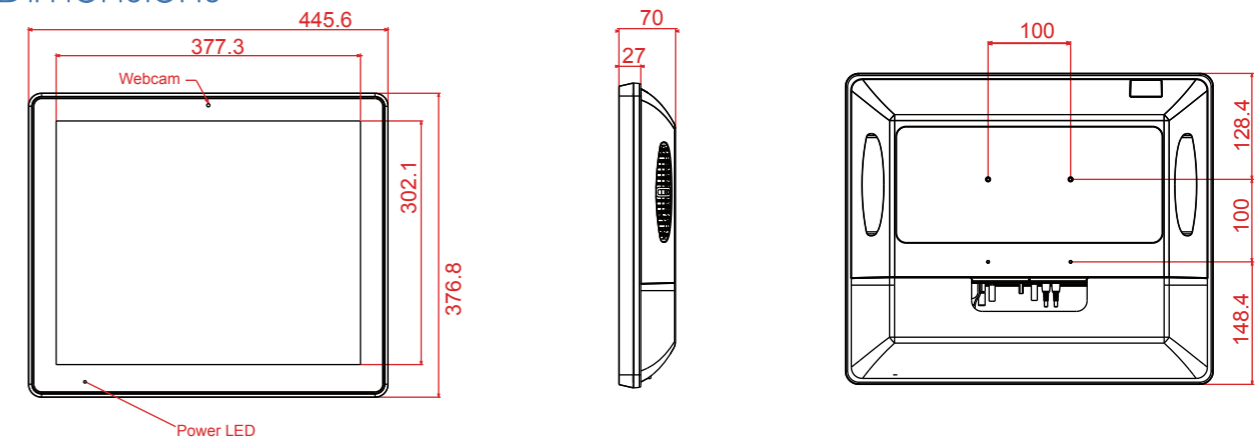
Features

- 19" (4:3) high brightness, wide viewing angle LED panel
- Wipe-clean peerless all-in one terminal
- Intel® Dual Core Pineview D510 / D525 processor
- Triple security smart card reader, barcode scanner and RFID
- Interactive communication: Web CAM & VoIP Phone communication
- MRSA Anti-bacteria coating
- 802.11 a/b/g/n WLAN & BT option
- Medical Certification

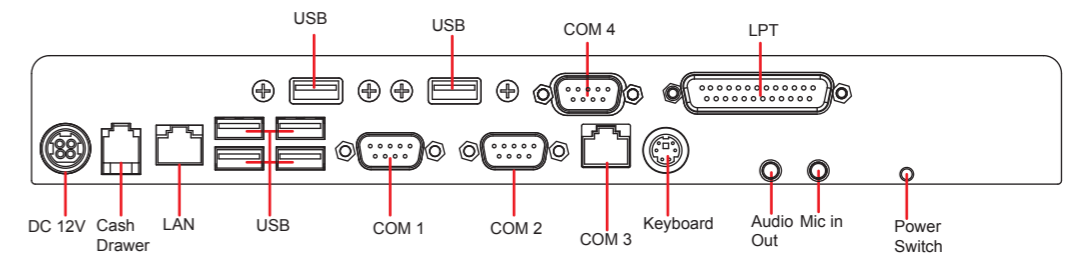


	VariCura 719	VariCura 719A
CPU	Intel® Pineview D510 (Dual Core) 1.66GHz with L2 Cache 1MB	Intel® Pineview D525 (Dual Core) 1.8GHz
Chipset	Intel® Pineview + ICH8M	Intel® Pineview + ICH8M
System Memory	Up to 2GB, 1 x SO-DIMM DDRII 667	Up to 4GB, 1 x DDRIII SO-DIMM 800
Storage	1 x SATA (2.5") HDD /SSD	1 x SATA (2.5") HDD /SSD
Display		
TFT LCD	19" LED backlight panel	19" LED backlight panel
Brightness	350 nits	350 nits
Max. Resolution	1280 x 1024	1280 x 1024
Max. Colors	16.7M	16.7M
View Angle	85 / 85(H Right/Left) 80 / 80 (V Upper/Lower)	85 / 85(H Right/Left) 80 / 80 (V Upper/Lower)
Contrast Ratio	1000 :1	1000 :1
Back Light MTBF	50,000 Hours	50,000 Hours
Projected Capacitive Touch		
Transparency	90% ± 3	90% ± 3
Haze rate	<4%	<4%
Activity	35 million times	35 million times
IO ports		
USB Port	6 x USB2.0	6 x USB2.0
Serial Port	4 x RS-232 w/RI/5V/12V power (COM1/2/4: DB-9, RS-232, COM3 : RJ-48)	4 x RS-232 w/RI/5V/12V power (COM 1/2/4 : DB-9, RS-232, COM 3 : RJ-48)
Video	N/A	N/A
Audio	1 x Line out / MIC in	1 x Line out / MIC in
LPT Port	1 x Parallel port	1 x Parallel port
K/B & Mouse	1 x PS/2 Keyboard	1 x PS/2 K/B
Network (LAN)	1 x Gigabit LAN (Support Wake-on-LAN function)	1 x Gigabit LAN (Support Wake-on-LAN function)
Expansion	1 x Internal Mini Card (full size Mini PCIe)	1 x Internal Mini Card (full size Mini PCIe)
Speaker	2 x 2W Speakers	2 x 2W Speakers
Digital IO	4 in 4 out	4 in 4 out
Mechanical Environment		
Power Supply	12V	12V
AC/DC Adapter	12V, 11A 132W medical adapter	12V, 11A 132W medical adapter
OS Support	Windows® 7 / Windows® XP Embedded / Windows® XP Pro Embedded / Linux Redhat / Fedora Core	Windows® 7 / Windows® XP Embedded / Windows® XP Pro Embedded / Fedora Core
Water/Dust Resistance	Front panel IP65, IPX1 enclosure certification	Front panel IP65, IPX1 enclosure certification
Operating Temperature	0°C ~ 40°C (32°F ~ 104°F)	0°C ~ 40°C (32°F ~ 104°F)
Vibration Resistance	Random/Operation 1.5G, 5 ~ 500Hz	Random/Operation 1.5G, 5 ~ 500Hz
Shock Resistance	20G Peak Acceleration (11ms. Duration) in operation	20G Peak Acceleration (11ms. Duration) in operation
Infection Control	Anti-microbial bezel material (MRSA,Staphylococcus aureus, Escherichia coli)	Anti-microbial bezel material (MRSA,Staphylococcus aureus, Escherichia coli)
EMC / Safety	CE/FCC Class B, EN60601-1	CE/FCC Class B, EN60601-1
Dimensions (W x H x D)	446 x 377 x 70 mm	446 x 377 x 70 mm
Net Weight / Gross Weight	7.1KG	7.1KG
VESA Mounting	VESA 100	VESA 100

Dimensions



IO Interface



Ordering Information

VariCura-719-A1-PCT	19" Medical terminal, D510 1.66G, PCT- black touch, 1G RAM, 160G HDD, medical adapter
VariCura-719A-A1-PCT**	19" Medical terminal, D525 1.8G, PCT- black touch, 2G RAM, 160G HDD, medical adapter

** VariCura 719A is required minimum order quantity.

Optional Items

WiFi*	WLAN 802.11 a/b/g/n, Mini card interface
Web Camera	1.3M pixel camera
Smart Card reader	Read & Write Smart card reader module, ISO7816, GSM, EMV, PS/SC, WHQL protocol compliant
RFID (either or with smart card)	13.56MHz, ISO14443A, Mifare
Barcode scanner	2D Barcode scanner, Code 39/UPC/EAN/Data Matrix/PDF417 symbology
VOIP phone	Skype phone
MSR module	ANSI/ISO Standards 7810, 7811 1/5, 7812 & 7813. It can read both Lo-Co card and Hi-Co cards
2 IN 1 module	MSR + Finger printer module

*All right has been reserved to change the specification without prior notice.

*Except WiFi, all the other accessory will be available on 2012 Q1

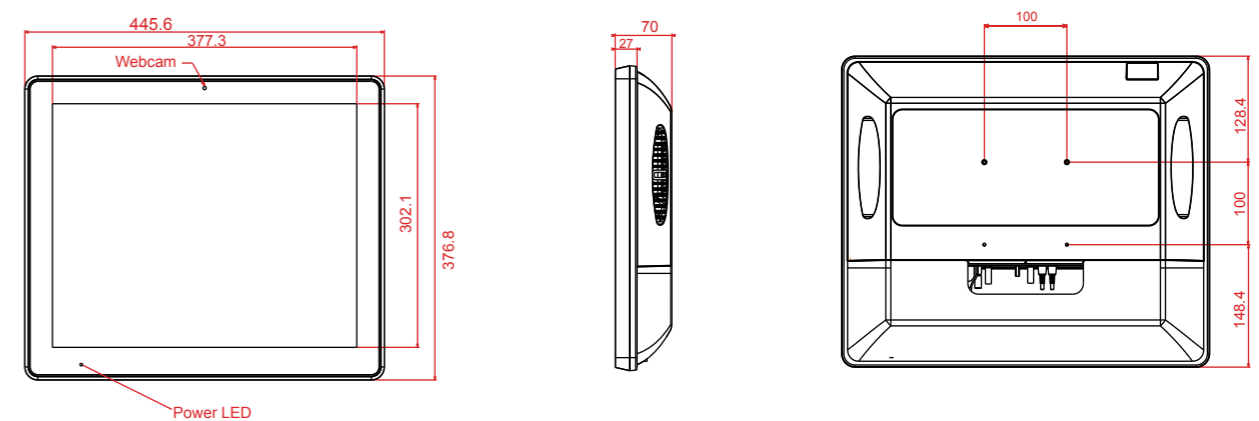


Features

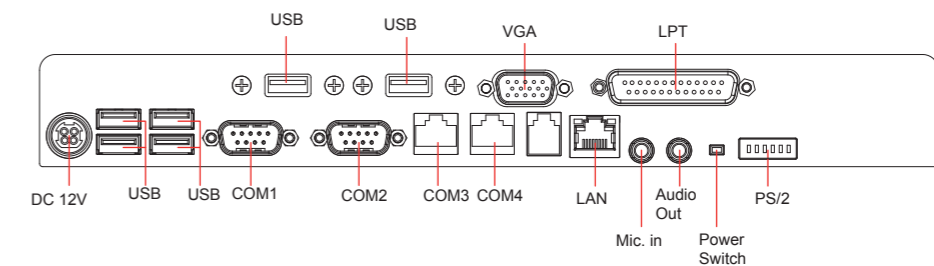
- The latest-generation Intel Qual Core i5/i3 processor
- Up to 4GB memory expandability
- 19" high brightness, wide viewing angle LED panel
- Easy-cleaning, wipe-proof medical terminal
- Front and Rear enclosure IP65 Certified
- Magic Multi-touch technology
- Flexible, modular accessory option
- MRSA Anti-bacteria coating
- 802.11 a/b/g/n Internal WLAN antenna option
- Medical Certification



Dimensions



IO Interface



VariCura 819	
CPU	Intel® Core i3 2.2GHz with L3 Cache 3MB Intel® Core i5 2.5GHz with L3 Cache 3MB Intel® Mobile Celeron B810 1.6GHz with L3 Cache 2MB
Chipset	Intel® HM65
System Memory	Up to 4GB, 2 x SO-DIMM DDRIII 1333
Storage	1 x SATA (2.5") HDD/SSD
Display	
TFT LCD	19" LED backlight panel
Brightness	350 nits
Max. Resolution	1280 x 1024
Max. Colors	16.7M
View Angle	85 / 85(H Right/Left) 80 / 80 (V Upper/Lower)
Contrast Ratio	1000 :1
Back Light MTBF	50,000 Hours
Projected Capacitive Touch	
Transparency	90% ± 3
Haze rate	<4%
Activity	35 million times
IO ports	
USB Port	6 x USB2.0
Serial Port	4 x RS-232 w/ RI/5V/12V power (COM1/2: DB-9, COM3/4 : RJ-48)
Video	1 X D-sub VGA
Audio	1 x Line out / MIC in
LPT Port	1 x Parallel port
K/B & Mouse	1 x PS/2 Keyboard
Network (LAN)	1 x Gigabit LAN (Support Wake-on-LAN function)
Expansion	1 x Internal Mini Card (full size Mini PCIe)
Speaker	2 x 2W Speakers
Digital IO	4 in 4 out
Mechanical Environment	
Power Supply	12V, 11A 132W medical adapter
AC/DC Adapter	Windows® 7 / Windows® XP Embedded /
OS Support	Windows® XP Pro Embedded / Fedora Core
Water/Dust Resistance	Front panel IP65, IPX1 enclosure certification
Operating Temperature	0°C ~ 40°C
Vibration Resistance	Random/Operation 1.5G, 5 ~ 500Hz
Shock Resistance	20G Peak Acceleration (11ms. Duration) in operation
Infection Control	Anti-microbial bezel material (MRSA, Staphylococcus aureus, Escherichia coli)
EMC / Safety	CE/FCC Class B, EN60601-1
Dimensions (W x H x D)	446 x 377 x 70 mm
Net Weight / Gross Weight	7.3KG
VESA Mounting	VESA 100

Ordering Information

VariCura-819-A1-PCT	19" Medical terminal, i5 2.5G, PCT- black touch, 2G RAM, 160G HDD, medical adapter
VariCura-819-A2-PCT	19" Medical terminal, i3 2.2G, PCT- black touch, 2G RAM, 160G HDD, medical adapter
VariCura-819-A3-PCT	19" Medical terminal, Mobile Celeron B810 1.6G, PCT- black touch, 2G RAM, 160G HDD, medical adapter

Optional Items

WiFi*	WLAN 802.11 a/b/g/n, Mini card interface
Web Camera	1.3M pixel camera
Smart Card reader	Read & Write Smart card reader module, ISO7816, GSM, EMV, PS/SC, WHQL protocol compliant
RFID (either or with smart card)	13.56MHz, ISO14443A, Mifare
Barcode scanner	2D Barcode scanner, Code 39/UPC/EAN/Data Matrix/PDF417 symbology
VOIP phone	Skype phone
MSR module	ANSI/ISO Standards 7810, 7811 1/5, 7812 & 7813. It can read both Lo-Co card and Hi-Co cards
2 IN 1 module	MSR + Finger printer module

*Except WiFi, all the other accessory will be available on 2012 Q1

Selection Guide



Model Name		VariCura 715A**	VariCura 715
Main Spec	CPU	Intel® Pineview D525 (Dual Core) 1.8GHz	Intel® Pineview D510 (Dual Core) 1.66GHz
	Chipset	Intel® Pineview + ICH8M	Intel® Pineview + ICH8M
	System Memory	Up to 4GB, 1 x DDRIII SO-DIMM 800	Up to 2GB, 1 x DDRII SO-DIMM 667
	Storage	1 x SATA (2.5")HDD / SSD	1 x SATA (2.5")HDD / SSD
Display	TFT LCD	15" LED backlight	15" LED backlight
	Brightness	400 nits	400 nits
	Max. Resolution	1024x768	1024x768
	Max. Colors	16.2M	16.2M
	View Angle	80/80(H Right/Left) 80/60 (V Upper/Lower)	80/80(H Right/Left) 80/60 (V Upper/Lower)
	Contrast Ratio	700:1	700:1
	Back Light MTBF	50,000 Hours	50,000 Hours
Projected Capacitive Touch	Transparency	90% ± 3	90% ± 3
	Haze rate	<4%	<4%
	Activity	100 million times	100 million times
IO ports	USB Port	4 x USB2.0 (2 on IO bracket, 2 on bottom IO)	4 x USB2.0 (2 on IO bracket, 2 on bottom IO)
	Serial Port	3 x RS-232 w/RI/5V/12V power (COM1/2 : DB-9, RS-232, COM3 : RJ-48)	3 x RS-232 w/RI/5V/12V power (COM1/2 : DB-9, RS-232, COM3 : RJ-48)
	Video	1 X D-sub VGA (optional)	1 X D-sub VGA (optional)
	Audio	1 x Line out / MIC in	1 x Line out / MIC in
	LPT Port	1 x Parallel port	1 x Parallel port
	K/B & Mouse	1 x PS/2 K/B	1 x PS/2 K/B
Network (LAN)		1 x Gigabit LAN (Support Wake-on-LAN function)	1 x Gigabit LAN (Support Wake-on-LAN function)
Expansion		1 x Internal Mini Card (full size Mini PCIe)	1 x Internal Mini Card (full size Mini PCIe)
Speaker		2 x 2W Speakers	2 x 2W Speakers
Digital IO		4 in 4 out	4 in 4 out
AC/DC Adapter		12V, 6A 72W medical adapter	12V, 6A 72W medical adapter
OS Support		Windows® 7 / Windows® XP Embedded / Windows® XP Pro Embedded / Fedora Core	Windows® 7 / Windows® XP Embedded / Windows® XP Pro Embedded / Fedora Core
Water/Dust Resistance		Front & back panel IP66, IPX1 enclosure certification	Front & back panel IP66, IPX1 enclosure certification
Operating Temperature		0°C ~ 40°C (32°F ~ 104°F)	0°C ~ 40°C (32°F ~ 104°F)
Vibration Resistance		Random/Operation 1.5G, 5 ~ 500Hz	Random/Operation 1.5G, 5 ~ 500Hz
Shock Resistance		20G Peak Acceleration (11ms. Duration) in operation	20G Peak Acceleration (11ms. Duration) in operation
Infection Control		Anti-microbial bezel material (MRSA,Staphylococcus aureus, Escherichia coli)	Anti-microbial bezel material (MRSA,Staphylococcus aureus, Escherichia coli)
EMC / Safety		CE/FCC Class B, EN60601-1	CE/FCC Class B, EN60601-1
Dimensions (W x H x D)		409 x 336 x 57mm	409 x 336 x 57mm
Net Weight		5.8 KG	5.8 KG
VESA Mounting		VESA 100	VESA 100

** VariCura 715A is required minimum order quantity.

*All right has been reserved to change the specification without prior notice.

Selection Guide



Model Name		VariCura 719A**	VariCura 719	VariCura 819	
Main Spec	CPU	Intel® Pineview D525 (Dual Core) 1.8GHz	Intel® Pineview D510 (Dual Core) 1.66GHz	Intel® Core i5 2.5GHz Intel® Core i3 2.2GHz Intel® Mobile Celeron B810 1.6GHz	
	Chipset	Intel® Pineview + ICH8M	Intel® Pineview + ICH8M	Intel® HM65	
	System Memory	Up to 4GB, 1 x DDRIII SO-DIMM 800	Up to 2GB, 1 x DDRII SO-DIMM 667	Up to 4GB, 2 x SO-DIMM DDRIII 1333	
	Storage	1 x SATA (2.5")HDD / SSD	1 x SATA (2.5")HDD / SSD	1 x SATA (2.5")HDD / SSD	
Display	TFT LCD	19" LED backlight	19" LED backlight	19" LED backlight	
	Brightness	350 nits	350 nits	350 nits	
	Max. Resolution	1280x1024	1280x1024	1280x1024	
	Max. Colors	16.7M	16.7M	16.7M	
	Pixel Pitch (mm)	0.294 x 0.294	0.294 x 0.294	0.294 x 0.294	
	View Angle	85/85(H Right/Left) 80/80 (V Upper/Lower)	85/85(H Right/Left) 80/80 (V Upper/Lower)	85/85(H Right/Left) 80/80 (V Upper/Lower)	
	Contrast Ratio	1000:1	1000:1	1000:1	
	Back Light MTBF	50,000 Hours	50,000 Hours	50,000 Hours	
	Projected Capacitive Touch	Transparency	90% ± 3	90% ± 3	90% ± 3
		Haze rate	<4%	<4%	<4%
Activity		35 million times	35 million times	35 million times	
IO ports	USB Port	6 x USB2.0	6 x USB2.0	6 x USB2.0	
	Serial Port	4 x RS-232 w/RI/5V/12V power (COM1/2/4 : DB-9, RS-232, COM3 : RJ-48)	4 x RS-232 w/RI/5V/12V power (COM1/2/4 : DB-9, RS-232, COM3 : RJ-48)	4 x RS-232 w/RI/5V/12V power (COM 1 / 2 : DB-9, COM 3/4 : RJ-48)	
	VGA	N/A	N/A	1 X D-sub VGA	
	Audio	1 x Line out / MIC in	1 x Line out / MIC in	1 x Line out / MIC in	
	LPT Port	1 x Parallel port	1 x Parallel port	1 x Parallel port	
	K/B & Mouse	1 x PS/2 K/B	1 x PS/2 K/B	1 x PS/2 K/B	
	Network (LAN)		1 x Gigabit LAN (Support Wake-on-LAN function)	1 x Gigabit LAN (Support Wake-on-LAN function)	1 x Gigabit LAN (Support Wake-on-LAN function)
Expansion		1 x Internal Mini Card (full size Mini PCIe)	1 x Internal Mini Card (full size Mini PCIe)	1 x Internal Mini Card (full size Mini PCIe)	
Speaker		2 x 2W Speakers	2 x 2W Speakers	2 x 2W Speakers	
Digital IO		4 in 4 out	4 in 4 out	4 in 4 out	
AC/DC Adapter		12V, 11A 132W medical adapter	12V, 11A 132W medical adapter	12V, 11A 132W medical adapter	
OS Support		Windows® 7 / Windows® XP Embedded / Windows® XP Pro Embedded / Fedora Core	Windows® 7 / Windows® XP Embedded / Windows® XP Pro Embedded / Fedora Core	Windows® 7 / Windows® XP Embedded / Windows® XP Pro Embedded / Fedora Core	
Water/Dust Resistance		Front panel IP65, IPX1 enclosure certification	Front panel IP65, IPX1 enclosure certification	Front panel IP65, IPX1 enclosure certification	
Operating Temperature		0°C ~ 40°C (32°F ~ 104°F)	0°C ~ 40°C (32°F ~ 104°F)	0°C ~ 40°C (32°F ~ 104°F)	
Vibration Resistance		Random/Operation 1.5G, 5 ~ 500Hz	Random/Operation 1.5G, 5 ~ 500Hz	Random/Operation 1.5G, 5 ~ 500Hz	
Shock Resistance		20G Peak Acceleration (11ms. Duration) in operation	20G Peak Acceleration (11ms. Duration) in operation	20G Peak Acceleration (11ms. Duration) in operation	
Infection Control		Anti-microbial bezel material (MRSA,Staphylococcus aureus, Escherichia coli)	Anti-microbial bezel material (MRSA,Staphylococcus aureus, Escherichia coli)	Anti-microbial bezel material (MRSA,Staphylococcus aureus, Escherichia coli)	
EMC / Safety		CE/FCC Class B, EN60601-1	CE/FCC Class B, EN60601-1	CE/FCC Class B, EN60601-1	
Dimensions (W x H x D)		446 x 377 x 70 mm	446 x 377 x 70 mm	446 x 377 x 70 mm	
Net Weight		7.1 KG	7.1 KG	7.3 KG	
VESA Mounting		VESA 100	VESA 100	VESA 100	

** VariCura 719A are required minimum order quantity.

*All right has been reserved to change the specification without prior notice.