

PER321A-2D

PERFECTRON

Intel® Atom™ Cedar Trail D2550 Fnaless Rugged System with 2 x 2.5" Easy Swappable SSD supports RAID 0,1 Function, 6 x COM and 2 x mPCIe Expansion, 9V to 24V DC-in, Wide Temp. -40 to 70°C



KEY FEATURE

- Supports Intel® Atom™ D2550 Dual Core™ 1.86 GHz
- 2 x DDR3 SO-DIMM up to 4 GB
- 6 x COM ports (4 x RS232, 2 x RS232/422/485)
- 6 x USB 2.0 ports
- Dual Intel® GbE LAN ports
- 2 x Mini PCIe
- Supports 9V to 24V DC-in (by terminal block)
- Supports 2 x 2.5" SATA Easy Swap/SSD
- Supports RAID 0, 1 and JBOD, BIG

it's perfect!

PER321A-2D

PERFECTRON

Intel® Atom™ Cedar Trail D2550 Fnaless Rugged System with 2 x 2.5" Easy Swappable SSD supports RAID 0,1 Function, 6 x COM and 2 x mPCIe Expansion, 9V to 24V DC-in, Wide Temp. -40 to 70°C



Main Features

- Supports Intel® Atom™ D2550 Dual Core™ 1.86 GHz
- 2 x DDR3 SO-DIMM up to 4 GB
- 6 x COM ports (4 x RS232, 2 x RS232/422/485)
- 6 x USB 2.0 ports
- Dual Intel® GbE LAN ports
- 2 x Mini PCIe
- Supports 9V to 24V DC-in (by terminal block)
- Supports 2 x 2.5" SATA Easy Swap/SSD
- Supports RAID 0, 1 and JBOD, BIG

► Specifications

System

CPU	Intel® Atom™ D2550 1.86 GHz onboard
Chipset	Intel® NM10
Memory	2 x 204-pin SO-DIMM DDR3 800/1066 MHz up to 4GB
Expansion Slot	2 x Mini-PCIe
Storage Device	2 x 2.5" SATA Easy Swap/SSD
RAID Support	RAID 0, 1 JBOD and BIG

Front I/O

COM	3 x RS232 with 5V/12V selectable 1 x RS232/422/485 with 5V/12V selectable
USB	2 x USB 2.0
Power Button	1
Power LED	1
HDD LED	1

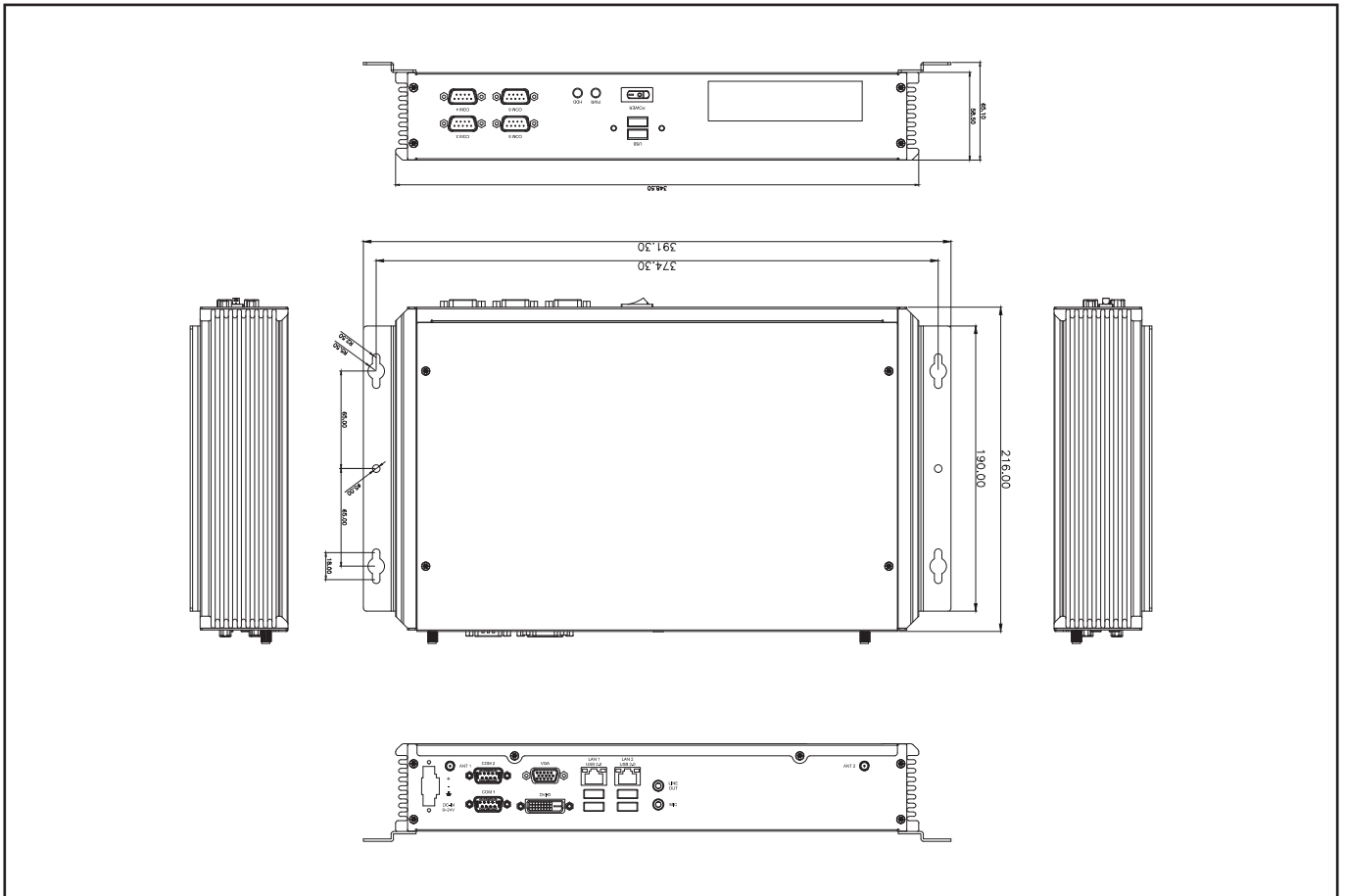
Rear I/O

VGA	1
DVI-D	1
COM	1 x RS232/422/485 with 5V/12V selection (COM1) 1 x RS232 with 5V/12V selection (COM2)
Ethernet	2 x RJ45
USB	4 x USB 2.0
Antenna	Reserved two antenna holes
Audio	Line-out, Mic-in
Power Input	9V to 24V DC-in (by terminal block)

Mechanical & Environment

Power Requirement	9V to 24V DC-in
Dimension (W x H x D)	391 x 65 x 216 mm (15.3" x 2.5" x 8.5")
Operating Temp.	-40 to 70°C (ambient with air flow)
Storage Temp.	-20 to 80°C
Relative Humidity	10% to 90%, non-condensing

► Mechanical Drawing



► **Packing List**

- PER321A-2D Fanless Rugged System
- Driver CD

► **Optional Accessories**

Power Adapter

19V, 120W, AC/DC power adapter w/o power cord (0 to 40°C, FSP)

► **Ordering Information**

Modules

Model Number	Description
PER321A-2D	Intel® Atom™ Cedar Trail D2550 Fanless Rugged System with 2 x 2.5" Easy Swappable SSD supports RAID 0,1 Function, 6 x COM and 2 x mPCIe Expansion, 9V to 24V DC-in, Wide Temp. (0 to 50°C)
PER321A-2D-ET	Intel® Atom™ Cedar Trail D2550 Fanless Rugged System with 2 x 2.5" Easy Swappable SSD supports RAID 0,1 Function, 6 x COM and 2 x mPCIe Expansion, 9V to 24V DC-in, Wide Temp. (-20 to 60°C)
PER321A-2D-UT	Intel® Atom™ Cedar Trail D2550 Fanless Rugged System with 2 x 2.5" Easy Swappable SSD supports RAID 0,1 Function, 6 x COM and 2 x mPCIe Expansion, 9V to 24V DC-in, Wide Temp. (-40 to 70°C, optional)



► **Applications**

