



# SI-22

Entry-Level, Fanless Signage Player,  
AMD G-Series 4 Cores @ 1.5GHz APU

Digital Signage Players

Signature Book™



## Features

- iSMART - for EuP/ErP power saving, auto-scheduler and power resume
- AMD Embedded G-Series SoC (Max. 4 Cores @ 1.5GHz)
- Integrated 80 Core DirectX 11.1 GPU in processor
- Supports DASH function for remote control
- Supports 2x HDMI 1.4a
- Supports 1x DDR3-1600 SO-DIMM, Single Channel (Max.8GB)
- 1x Mini PCI-E(x1) slots for mSATA, WiFi + Bluetooth, 3G, and TV tuner optional board
- Fanless, super slim and compact design

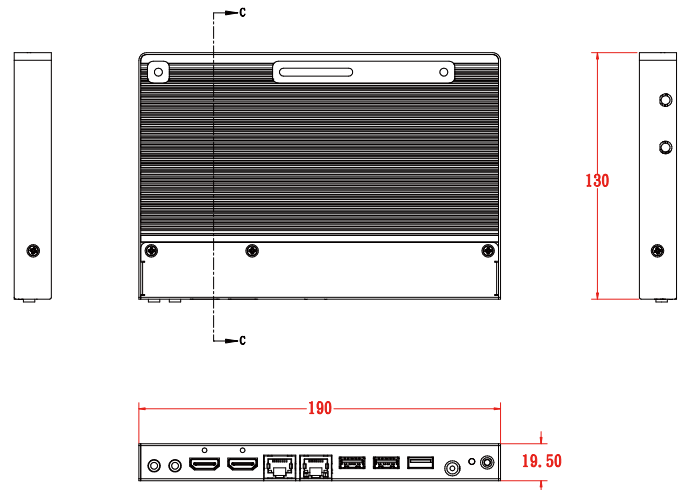
## Specifications

System Mainboard	IB922
CPU Type	AMD G-Series; 4 Cores @ 1.5 GHz APU
CPU Socket	FT3 BGA package
Chipset	SoC Integrated
Memory	1x DDR3 1600 MHz SO-DIMM, Max. 8GB (Non-ECC)
Graphics	AMD Radeon™ HD8330E graphics processing system integrated in APU <ul style="list-style-type: none"> <li>• DirectX 11.1</li> <li>• Direct Compute 11</li> <li>• Open GL 4.0</li> <li>• OpenCL 1.1</li> <li>• UVD4.2 Hardware Video Decoder –H.264, MPEG-2, VC-1, MPEG4 (DivX), and WMV</li> <li>• VCE 2.0 –Video conferencing, wireless display. H.264, SVC</li> </ul>
LAN	1x GbE w/o DASH Functionality (Realtek RTL 8111DP)
Expansion Slots	1x Mini PCI-E(x1) slots for Wi-Fi + Bluetooth, 3G, GPS and TV tuner options
I/O Interface	2x HDMI 1.4a 2x USB 3.0 ports, 1x USB 2.0 port 1x RJ45 for LAN, 1x RJ45 for RS232 2x Microjack audio connectors for Line-in / Line-out Power LED, 1x power on/off button 1x DC jack
Auto Control and Monitoring	Watchdog Timer: 256 segments, 0, 1, 2...255 (sec/min)
Power Requirement	+12V DC-in
Construction	Aluminum + SGCC
Weight	0.9Kg (1.98lbs)
Chassis Color	Black & White
Storage	1x mSATA
Power Supply	60W power adaptor
Mounting	STD system bracket
Dimensions	190mm(W) x 130mm(D) x 19.5mm(H) 7.5"(W) x 5.1"(D) x 0.77"(H)
Operating Temperature	0°C ~ 45°C (32°F ~ 113°F)
Storage Temperature	-20° ~ 80°C (-4°F ~ 176°F)
Relative Humidity	5~90% @ 45°C, (non-condensing)
Vibration	mSATA: 5 grms / 5~500Hz / random operation
Certification	CE, FCC, UL, CCC

## Ordering Information

SI-22-415	Signage Player with G-Series 4 Cores @ 1.5 GHz APU, 4GB DDR3 SO-DIMM, 64GB mSATA, 60W power adaptor
SI-22-415M	Signage Player with G-Series 4 Cores @ 1.5 GHz APU and 60W power adaptor (w/o memory & mSATA)

## Dimensions



Remarks: 1. Specifications are subject to change without prior notice.  
2. ODM/OEM is available