

PPC-102PW

Arestech

10.1" Wide Screen Fanless Multi-touch Panel PC
with Intel® Celeron® J1900 Processor



Features

- 10.1" 16:9 Wide Screen Projected Capacitive Touch Panel PC
- Front Panel IP54
- Resolution:1280 X 800, Brightness 500nits
- Two-Finger Touch Control while Wearing Gloves
- Internal SATA 2.5" HDD and mSATA Socket

Applications

- Food & Beverage Processing Industrial
- Pharmaceutical and Biopharmaceutical Equipment
- Embedded HMI Display System
- Factory Manufacturing Automation

→ Packing List

Description
1 x PPC-102PW
1 x Power Adapter
6 x Panel Mounting Screws

→ Optional Items

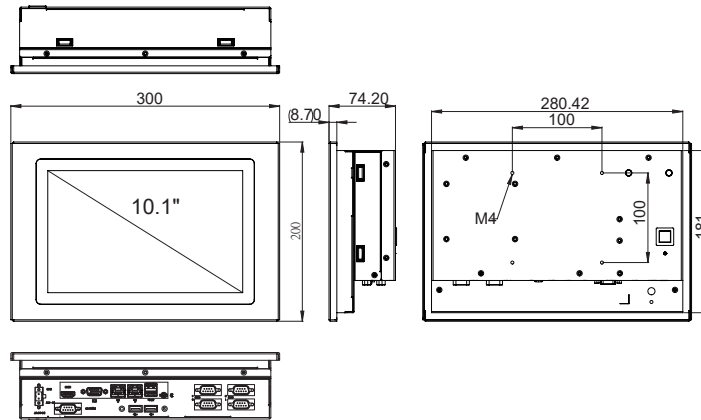
Part No.	Description
AWD-3G002	3G (HSPA+) Module + 1 Antenna, Full-size
AWD-4G001	4G (LTE) Module + 2 Antennas, Full-size
AWD-WF001	Wi-Fi 802.11 bgn (1T1R) + 1 Antenna (Single band), Half-size
AWD-WF003	Wi-Fi 802.11 abgn/ac/BT4.0 (2T2R) Module + 2 Antennas (Dual band), Half-size
ACS-100-STD	VESA Table Stand

→ Ordering Information

Part No.	Description
PPC-102PW-A2	10.1" 16:9 LCD (1280 x 800), Fanless Panel PC with Intel® Celeron® J1900 CPU, Projected Capacitive Touch, 1 VGA, 1 HDMI, 2 USB 3.0, 2 USB 2.0, 1 RS-232/422/485, 3 RS-232, 2 LAN, 8-pin Digital I/O, Line out, DC 9-36V

PPC-102PW

→ Dimensions



→ Specifications

Model		PPC-102PW-A2
Processor System	CPU	Intel® Celeron® Processor J1900
	Frequency	Quad-Core up to 2.0 GHz
	L2 Cache	Intel® Smart Cache 2 MB
	System Chipset	N/A
	BIOS	UEFI
Memory	Technology	DDR3L 1333 MHz SDRAM
	Max. Capacity	8 GB
	Socket	1 (204-pin SO-DIMM)
Display	Panel Size	10.1" LCD Panel
	Aspect Ratio	16:9
	Resolution	1280 x 800 (WXGA)
	Viewing Angle	85 x 85 (H) x 85 x 85 (V)
	Brightness	500(cd/m2)
	Contrast Ratio	800:1
	VGA / HDMI / DP / DVI	1, VGA, Up to 1920 x 1200 @ 60Hz, 1 HDMI 1.4a up to 1920 x 1200
	Multi Display	LCD Panel+ VGA or LCD Panel+ HDMI
Touchscreen	Touchscreen Type	Projected Capacitive
	Surface Hardness	7 Mohs
	Durability	N/A
	Transparency	90% (±3%)
I/O Interface	USB	4, 2 USB 3.0 2 USB 2.0
	Serial Port	4, COM (1 RS-232, 3 RS-232/422/485)
	Digital I/O	8-pin Digital I/O (DB-9 connector)
	Ethernet	Dual GbE, 10/100/1000 Mbps (Realtek RTL8111G-CG)
	Others	N/A
Expansion	miniPCIe/ M.2 Slot	2 Mini PCIe (1 full-size Mini PCIe or mSATA, selected by jumper setting;1 half-size Mini PCIe)
	PCI/ PCIe Slot	N/A
Audio	Connector	Line out
Storage	HDD/SSD	1, Internal 2.5" HDD/SSD
	mSATA/ M.2 / eMMC	Supports either mSATA or full-size Mini PCIe, selected by jumper setting
Power	Power On Model	AT/ATX
	Power Supply Voltage	Supports 9-36 V DC input (Phoenix Connector)
	Connector Type	2-Pin Terminal Block, Phoenix Connector
	Power Consumption(Typical/Max.)	Typical:1.53 A @ 12 V (18.4 W), Max:1.8 A @ 12 V (21.6 W)
Mounting	VESA Mount	100mm x 100mm
	Panel Mount	Cut out 282.5 x 183 mm mm, Thickness range under 12.5 mm
	Others	N/A
Environment	Operating Temperature	0~50° C (32~122° F) w/ 2.5" SSD
	Storage Temperature	-40~85° C (-40~185° F)
	Humidity	5~95% @ 40° C, non-condensing
	Vibration	5-500 Hz, 0.026 G ² /Hz, 2.16 Grms, X, Y, Z, 1 hour per axis
	Shock	20 G, IEC 60068-2-27, half sine, 11 ms duration
General	Certification	TBD
	Thermal Dissipation	Fanless
	Material, Surface Finish	SECC Front Cover
	Ingress Protection	IP54
	Dimensions (L x W x H)	300 x 200 x 74.20 mm (11.81" x 7.87" x 2.92")
	Net Weight	1.62 kg (3.57lb)
Operating System	Windows 7/8.1/10, WES7-E/P, WE8S, Ubuntu 14.04	