

## EBA1541

5-Megapixel True Day/Night  
Outdoor IR Ball Camera

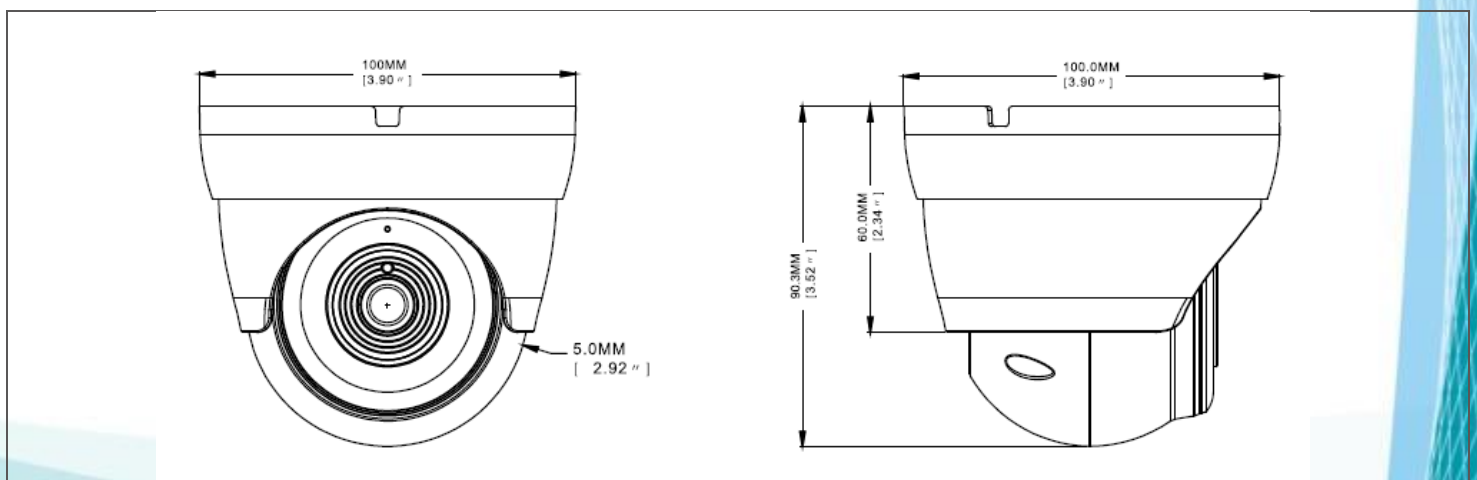
eZ.HD



## Features

- 5Mp CMOS sensor, with high flexibility and performance for astounding image
- 2.8mm fixed lens with ICR to capture the desired field of view
- Extended IR range of up to 20m / 66ft.
- The flexible angle viewing with its 3-Axis rotation design allows wall or ceiling mounting
- IP66-rated with metal housing
- Built-in Microphone (Audio over Coax)
- Supports UTC function: Control camera OSD settings directly from DVR end

## Dimensions



## Specifications

Model No.	EBA1541		
Pickup Device	1/2.7" Progressive scan, CMOS	S/N Ratio	≥39dB
System Format	NTSC / PAL (switchable via OSD)	OSD Languages	English
Effective Pixels	2608 (H) x 1960 (V)	DNR	Level 1-9
Scanning System	Progressive Scan	D-WDR	N/A
Minimum Illumination	Color 0.08lux @ F2.0(AGC ON) ; B/W 0 lux @ IR ON	Built-in Microphone	Supported
Electronic Shutter	1/30s ~ 1/30000s	Frame rate	5MP@ 20fps; 50Hz: 25fps/1920*1080; 25fps/4MP 60Hz: 30fps/1920*1080; 30fps/4MP
Day/Night	IR Cut Filter with auto switch (Auto/Color/B&W)	Mirror / Flip	Off / On (V-Flip /Rotate)
Gamma Correction	Supported 0.45	Motion Detection	Supported
Lens Type	2.8mm lens with ICR, F1.6	Privacy Mask	Supported
FOV (D x H x V)	134° x 58.8° x 111.4°	Environmental	IP66 Weather Resistant
BLC	Level/Area/Default/Return	Power Source	12VDC
AGC	Height/Middle/Low	Max. Power	IR Off ≤1W, IR On ≤4W
White Balance	Auto	Operating Temperature	-20°C ~ 50°C / -4°F ~ 122°F
Sync. Mode	Internal	Humidity	Less than 90%
UTC Function	Supported	Dimensions	Ø 100mm x 90mm
IR LEDS	18 Units	Weight	391g / 0.86lb
IR Distance	Up to 20m / 66ft.	Certificates	CE, FCC, RoHS2.0
Video Format	AHD / TVI / CVI / CVBS *CVBS only support PAL		

### Find Out More At:

**EverFocus Taiwan HQ:**  
TEL: +886 2 2662 2338  
www.everfocus.com.tw  
marketing@everfocus.com.tw

**EverFocus USA - California:**  
TEL: +1 626 844 8888  
www.everfocus.com  
sales@everfocus.com

**International Branch Offices:**  
China, Japan