



### Features

- Compact Fanless system by for IBASE MB300 customized board
- Supports 7th/6th Generation Intel® Core™ i7/i5/i3 processors
- 2MB MRAM module (optional)
- Front removable drive bay for HDD/SSD (supports RAID 0/1)
- Supports different types of Fieldbus through expansion slot
- Over/Under/Reverse voltage protection
- Wall mount & DIN rail mount compatibility
- iSMART, iAMT (11.6)

### Specifications

System Mainboard	MB300 with Intel® Q170 PCH
CPU Type	7th/6th Generation Intel® Core™ i7/i5/i3 Desktop processors
System Speed	Up to 3.4GHz
Memory	2x DDR4-2133 SO-DIMM, Max. 32GB
Construction	Aluminum & steel
Chassis Color	Sliver
Front Panel External I/O	2x Antenna hole for WLAN module
Rear Panel External I/O	1x DVI-I + 1x DisplayPort connector 1x Audio jack for Line-out 4x USB 3.0 ports, 2x USB 2.0 ports 1x Red HDD LED, 1x Green PWR LED, 2x error LED by programming 1x power button 1x 2-pin terminal block for external power button 1x RS232/422/485 port for COM#1 1x RS232 port for COM#2 2x RJ45 Gigabit Ethernet port 1x 3 pins DC-in terminal block type for 24V 3x fieldbus module bracket
Expansion slots	4x Mini PCI-E sockets (full-sized)
Storage	2x 2.5" SSD + 1x mSATA socket
Mounting	Desktop or wall mounting (wall mount kit included) Side mounting DIN rail mounting (optional)
Dimensions	275mm (W) x 140mm (D) x 117mm (H) 10.83" (W) x 5.51" (D) x 4.61" (H)
Operating Temperature	-10°C to 60°C (14°F~140°F)*With Air flow -10°C to 50°C (14°F to 122°F)
Storage Temperature	-20°C to 80°C (-4°F to 176°F)
Relative Humidity	5~90% @ 45°C, (non-condensing)
Vibration	Non-Operating: 1.0 grms / 5~500Hz / random operation Operating: 0.25 grms / 5~500Hz / random operation
Certification	CE / LVD / FCC Class B

### Ordering Information

AMS301	Fanless system with MB300, w/ Intel® Core™ i7/i5/i3 Desktop processor, 2x COM, 2x 4GB memory, 1x 2.5" 64GB MLC industrial-grade SSD, 3x Mini PCI-E, w/o power adaptor
--------	---

### Recommended Processor list

Model	TDP	Base Freq	Turbo Freq	Cache	Cores / Threads
i7-6700TE	35W	2.4 GHz	3.4 GHz	8M	4/8
i5-6500TE	35W	2.3 GHz	3.3 GHz	6M	4/4
i3-6100TE	35W	2.7 GHz	N/A	4M	2/4
G4400TE	35W	2.9 GHz	N/A	3M	2/2
G3900TE	35W	2.6 GHz	N/A	2M	2/2

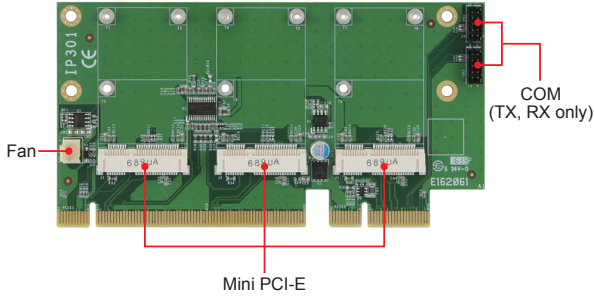
# AMS301

## Compact Expandable Fanless System

Expandable Fanless & Compact System for 7th/6th Generation Intel® Core™ i7/i5/i3 Desktop Processors

### Expansion Cards

IP301



### Flexible Mounting

Side Mounting



DIN Rail Mounting



### Field Bus Adaptor thru Mini PCI-E

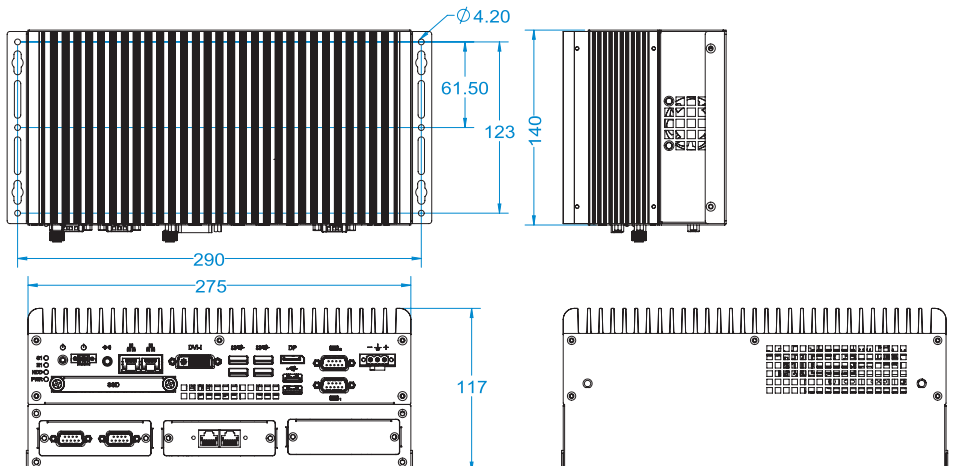


PROFINET module



PROFIBUS module

### Dimensions and Drawing



Remarks: 1. Specifications are subject to change without prior notice. 2. ODM/OEM is available. 3. For user's manual & datasheet download, visit [www.ibase.com.tw](http://www.ibase.com.tw).