



Rear I/O

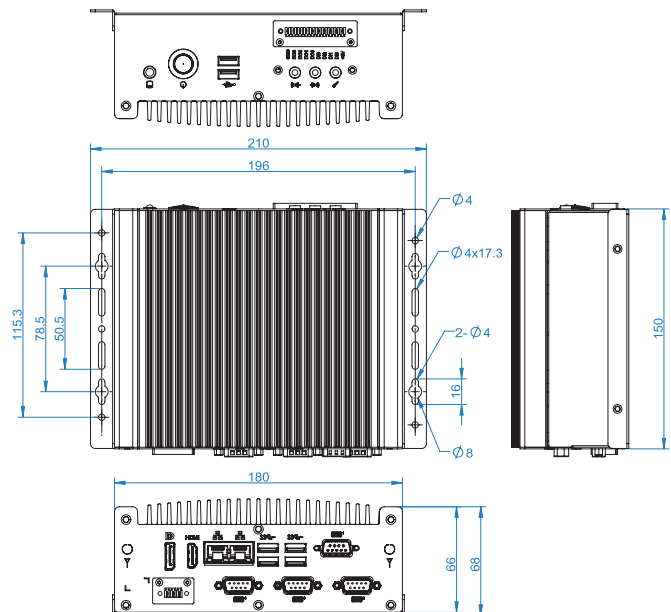
## Features

- Fanless system with IBASE IB916 3.5" Disk-Size SBC
- Onboard 6th Gen. Intel® Core™ U-series processor
- iSMART- for auto-scheduler and power resume
- Supports 1x Mini PCI-E (full-size)
- Supports 1x 2.5" SATA HDD
- 4x USB 3.0 DP/HDMI
- 12V~24V DC wide-range power input
- Wall mount kit included

## Ordering Information

ASB200-916-i7	Fanless chassis with IB916AF-7600, Intel® i7-7600U 2.8GHz CPU, 4x COM, 2x 4GB DDR4 memory, 1x 2.5" 64GB MLC SSD, (w/o 84W power adaptor and VESA mount bracket)
ASB200-916-i5	Fanless chassis with IB916AF-7300, Intel® i5-7300U 2.6GHz CPU, 4x COM, 2x 4GB DDR4 memory, 1x 2.5" 64GB MLC SSD, (w/o 84W power adaptor and VESA mount bracket)
ASB200-916-i3	Fanless chassis with IB916F-7100, Intel® i3-7100U 2.4GHz CPU, 4x COM, 2x 4GB DDR4 memory, 1x 2.5" 64GB MLC SSD, (w/o 84W power adaptor and VESA mount bracket)
90W power adaptor (optional)	90W (24V@3.75) power adaptor, DC-jack or bare wire type
Optional Accessories	WiFi/BT antenna kit

## Dimensions and Drawing



## Specifications

System Mainboard	IB916AF-7600 / IB916AF-7300 / IB916F-7100
CPU Type	Intel® Core™ i7 7600U processor Intel® Core™ i5 7300U processor Intel® Core™ i3 7100U processor
System Speed	Up to 2.8GHz
Memory	2x 4GB DDR4-2133 SO-DIMM, Max.32GB
Construction	Aluminum & steel
Chassis Color	Black
Front Panel External I/O	1x Power button 2x USB 2.0 1x Audio Jack for Line-out / Line-in / MIC-in 1x HDD LED 1x Digital I/O (4-in / 4-out)
Rear Panel External I/O	4x USB 3.0 port 1x HDMI display, 1x DisplayPort 1x RS232/422/485 port for COM#1 3x RS232 ports for COM#2/COM#3/ COM#4 2x RJ45 Gigabit Ethernet port 1x 3-pin DC-in terminal block for 12V-24V
Expansion Slots	1x Full-size Mini PCI-E socket (USB 2.0 + SATA)
Storage	1x 2.5" HDD or SSD
Mounting	Desktop or wall mount (wall mount kit included) Optional VESA mount kit
Dimensions	180mm(W) x 150mm(D) x 66mm(H) 7.09" (W) x 5.91" (D) x 2.6" (H)
Weight	1.8kg
Operating Temperature	0°C~45°C (32°F~113°F) (With HDD) -20°C~60°C (-4°F~140°F) (With SSD)
Storage Temperature	-20°C to 80°C (-4°F to 176°F)
Relative Humidity	5~90% @ 45°C, (non-condensing)
Vibration	Operating : 0.25Grms / 5~500Hz Non-operating : 1Grms / 5~500Hz
Shock	Operating : 20G / 11ms Non-operating : 40G / 11ms
Certification	CE / LVD / FCC Class B