

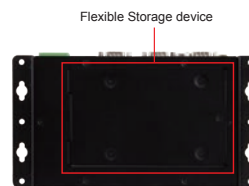


Rear I/O

DC-Jack type or Terminal block type by optional

### Features

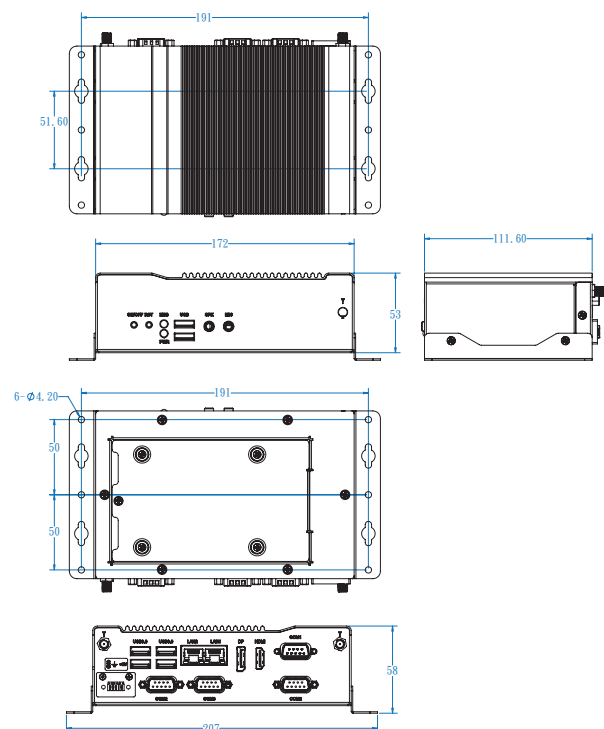
- Fanless system with IBASE IB822 3.5" Disk-Size SBC
- Intel® Pentium® Silver Processor J5005 & Celeron® Processor J4005 Series
- DC-Jack type or Terminal block type (by option)
- Supports 1x 2.5" SATA HDD or SSD (removable)
- Wall mount kit included



### Ordering Information

CSB200-822-5005H	Fanless system with IB822-J5005 w/ Intel® Pentium® J5005, 4x COM, 1x 4GB DDR4 memory, 1x 2.5" 500GB HDD, desktop stand & mounting brackets, w/o 60W power adaptor
CSB200-822-4005S	Fanless system with IB818-J4005 w/ Intel® Celeron® J4005, 4x COM, 1x 4GB DDR4 memory, 1x 2.5" 64GB SSD, desktop stand & mounting brackets, w/o 60W power adaptor
60W power adaptor (optional)	60W (12V@5A) power adaptor, DC-jack or bare wire type, Compatible with IEC62368-1/EN62368-1

### Dimensions and Drawing



### Specifications

System Mainboard	IB822
CPU Type	Intel® Pentium® Silver Processor J5005/ Celeron® Processor J4005 Series
System Speed	Up to 2.8GHz
Memory	1x 4GB DDR4 SO-DIMM, Max. 8GB
Construction	Aluminum & Steel
Chassis Color	Black
Front Panel External I/O	1x Power LED 1x HDD LED 1x Power button 1x Reset button 2x USB2.0 ports 1x Line-out 1x Mic-in 1x Antenna reserved
Rear Panel External I/O	4x USB 3.0 port 1x RS232/422/485 for COM#1 3x RS232 for COM#2~4 1x HDMI 1x DP 2x RJ-45 Gigabit Ethernet port 2x Antenna reserved 1x DC jack with lock or Terminal block 12V(±10%) DC-IN
Expansion Slots	M.2 socket x1 (Mechanical key B, type 2242) M.2 socket x1 (Mechanical key E, type 2230)
Storage	1x 2.5" SATA HDD or SSD (removable)
Mounting	Desktop or wall mount (Wall mount kit included)
Dimensions	172mm(W) x 111.6mm(D) x 53mm(H) 6.77" (W) x 4.37" (D) x 2.08" (H)
Weight	1.1kgs
Operating Temperature	0°C~45°C (14°F~113°F) (HDD) *With air flow 0°C~50°C (32°F~122°F) (SSD) *With air flow
Storage Temperature	-40°C~85°C (-40°F~185°F)
Relative Humidity	5%~90%@45°C (non-condensing)
Vibration	Operating: 1.0 grms / 5~500Hz / random operation (with IEC 60068-2-64) Non-Operating: 2.0 grms / 5~500Hz / random operation (with IEC 60068-2-64)
Shock	Operating : 20G / 11ms Non-operating : 40G / 11ms
Certification	CE/ FCC Class B / LVD