



Features

- Fanless system supports IBASE IB898 3.5" Disk-Size SBC
- Onboard Intel® Atom™ Processor E3825 SoC, 1.33GHz
- iSMART- for auto-scheduler and power resume
- 1x USB 3.0 and 3x USB 2.0
- **Wide temperature operating (-30°C~65°C)**
- Supports 3x Mini PCI-E (2x full-size & 1x half size)
- Supports 1x 2.5" SATA HDD device or SSD
- Wall mount kit included
- 12V DC power input

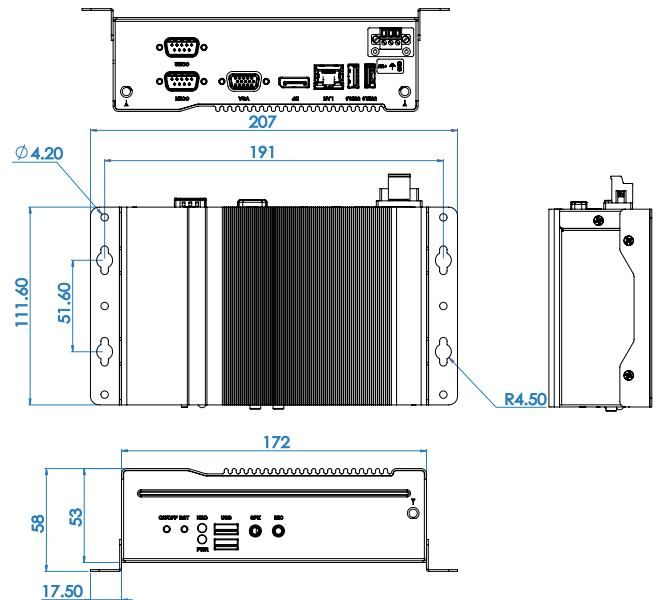
Specifications

System Mainboard	IB898-I25P
CPU Type	Intel® Atom™ DC Processor E3825
System Speed	1.33GHz
Memory	1x 2GB DDR3L-1333 SO-DIMM, Max. 8GB
Construction	Aluminum & Steel
Chassis Color	Black
Front Panel External I/O	1x Power LED 1x HDD LED 1x Power button 1x Reset button 2x USB 2.0 ports 1x Line-out, 1x Mic-in
Rear Panel External I/O	1x USB 2.0 port 1x USB 3.0 port 1x DisplayPort 1x VGA port 2x DB9 for COM1(RS232/422/485, select from BIOS) / COM2 1x RJ45 GbE connector 1x DC jack with lock or terminal block (12V DC-IN)
Storage	1x 2.5" HDD or SSD
Power Supply	Optional 60W power adaptor
Mounting	Desktop or wall mount (wall mount kit included)
Dimensions	172mm (W) x 111.6mm (D) x 52mm (H) 6.77"(W) x 4.39"(D) x 2.05"(H)
Operating Temperature	-10°C ~ 45°C (14°F ~ 113°F) (With HDD) -30°C ~ 65°C (22°F ~ 148°F) (With SSD)
Storage Temperature	-20°C ~ 80°C (-4°F ~ 176°F)
Relative Humidity	5~90% @ 45°C, (non-condensing)
Vibration	Operating: 0.25Grms / 5~500Hz Non-operating: 1Grms / 5~500Hz
Shock	Operating: 20G / 11ms Non-operating: 40G / 11ms
Certification	CE / LVD / FCC Class B

Ordering Information

CSB200-898	Fanless chassis with IB898-I25P, Intel® Atom™ E3825 SoC (1.33GHz), 2x COM, 1x DDR3L 2GB memory, 1x 2.5" 320GB SATA HDD, desktop stand & mounting brackets, (w/o 60W power adaptor)
CSB200-898-IT	Fanless chassis with IB898-I25P, Intel® Atom™ E3825 SoC (1.33GHz), 2x COM, 1x industrial-grade DDR3L 2GB memory, 1x industrial-grade 64GB MLC 2.5" SSD, desktop stand & mounting brackets, (w/o 60W power adaptor)

Dimensions and Drawing



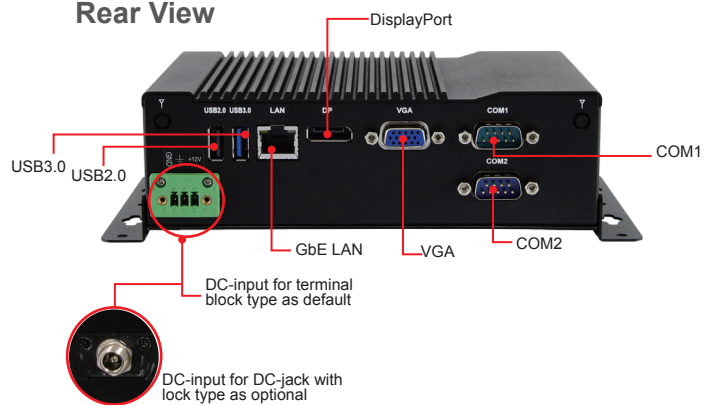
CSB200-898 Slim Type System for IBASE IB898 3.5" Disk-Size SBC

Intelligent Multiple I/O ports

Front View



Rear View



Compact Size Design



Wide Temperature Operating

iSMART

CSB200-898
Intel® Atom™ DC
Processor E3825
Embedded system

Low Power & Fanless

5 Years Supply



RISC Platforms

02

Embedded Systems

03

Motherboards

04

Disk-Size SBCs

05

CPU Cards

06

CPU Modules