

ECN-360A-ULT3

Fanless Embedded System with Intel® Solution

New



Features

- On-board CPU
 - » i5-6300U dual-core up to 3.0GHz
 - » 3855U dual-core up to 1.6GHz
- Two 2.5" SATA 6Gb/s HDD/SSD drive bay
- Operating temperature: -20°C ~ 60 °C
- Two flexible E-Window for modularized expansion I/O

E-Window



Specifications

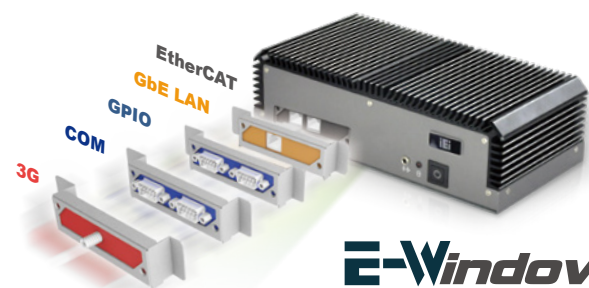
Model Name	ECN-360A-ULT3	
Chassis	Color	Black
	Dimensions (WxDxH) (mm)	255 x 130 x 75
	System Fan	Fanless
	Chassis Construction	SECC
Motherboard	Motherboard Model	NANO-ULT3
	SBC Size (mm)	EPIC, 165 x 115
	Processor	Intel® Core™ i5-6300U Intel® Celeron® 3855U
	System Memory	2 x 260-pin 2133/1866 MHz dual-channel DDR4 SO-DIMMs support up to 32GB Pre-install 4GB DDR4
Storage	Hard Drive	2 x 2.5" SATA HDD bay(No RAID support)
I/O Interfaces	USB 3.0	4
	Ethernet	LAN1: Intel® I219-LM LAN2: Intel® I211-AT
	COM Port	1 x RS-232/422/485 2 x RS-232
	Digital I/O	8-bit digital I/O
	Display	2 x HDMI
	Resolution	HDMI: up to 4096x2160@24Hz
	Audio	1 x Line-out
	Wireless	2 x 802.11b/g/n (optional)
Expansions	PCIe Mini	1 x Full-size PCIe Mini card slot (with SIM holder & mSATA support) 1 x Half-size PCIe Mini card slot
	Power	DC 12V (Optional 9~36V) Power 1: DC jack Power 2: Terminal block(for optional 9~36V only)
Reliability	Power Consumption	12 V@2.4 A (Intel® i5-6300U with 4GB DDR4 memory)
	Mounting	Wall mount, VESA 100
	Operating Temperature	-20°C~60°C with air flow (SSD), 5% ~ 95%, non-condensing
	Operating Shock	Half-sine wave shock 5G, 11ms, 3 shocks per axis
	Operating Vibration	MIL-STD-810F 514.5C-2 (SSD)
Weight (Net/Gross)	2.2 kg/3 kg	

*3855U belongs to Skylake ULT Base series CPU, PCIe signal support only PCIe Gen 2

Friendly to Use

Easy for installation

- Flexible I/O function for expansion requirement
- Easy assembly and integration changing with IEI E-window tool kit



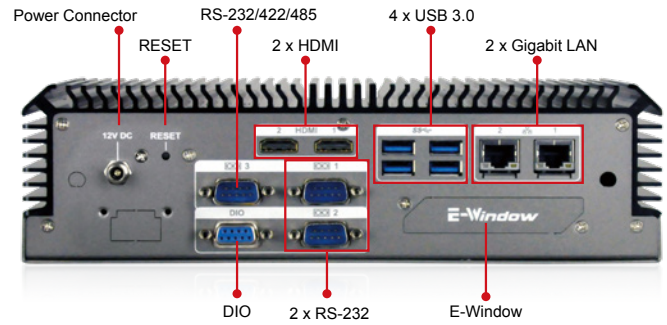
E-Window

Fully Integrated I/O

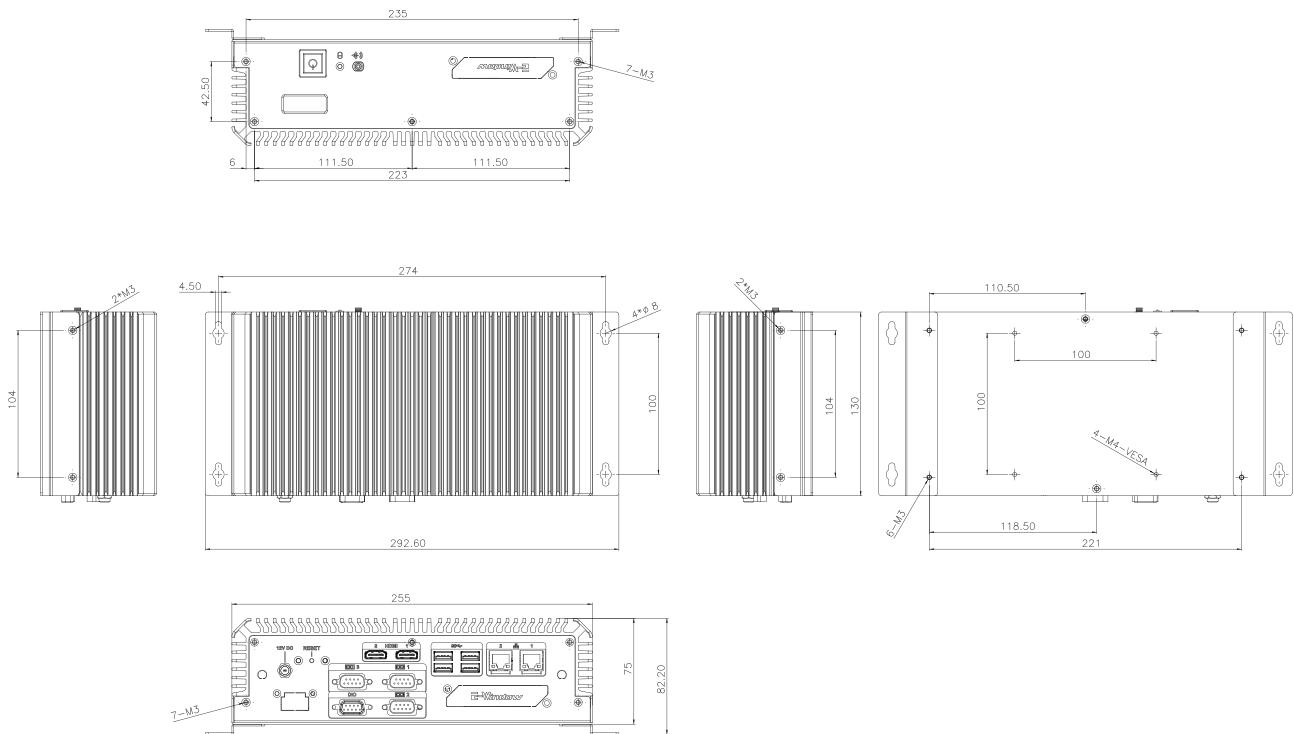
Front view



Rear view



Dimensions (Unit: mm)



Ordering Information

Part No.	Description
ECN-360A-ULT3-i5/4G-R10	Fanless System with Intel® Core™ i5-6300U up to 3.0GHz , TDP 15W, 2 x GbE LAN port , 2 x HDMI , 2 x 2.5" SATA HDD bay, 4GB memory pre-installed, 12V DC, RoHS
ECN-360A-ULT3-CE/4G-R10	Fanless System with Intel® Celeron® 3855U up to 3.0GHz/1.6GHz , TDP 15W, 2 x GbE LAN port , 2 x HDMI , 2 x 2.5" SATA HDD bay, 4GB memory pre-installed, 12V DC, RoHS
ECN-360A-ULT3-i5/WD/4G-R10**	Fanless System with Intel® Core™ i5-6300U up to 3.0GHz , TDP 15W, 2 x GbE LAN port , 2 x HDMI , 2 x 2.5" SATA HDD bay, 4GB memory pre-installed, 9~36V DC, RoHS
ECN-360A-ULT3-CE/WD/4G-R10**	Fanless System with Intel® Celeron® 3855U up to 1.6GHz , TDP 15W, 2 x GbE LAN port , 2 x HDMI , 2 x 2.5" SATA HDD bay, 4GB memory pre-installed, 9~36V DC, RoHS
63040-010060-120-RS	FSP060-DIBAN2, 12V 60W AC/DC Adapter
E-MPCIE-LAN03-R10	PCIe mini card supports 1-port GbE with REALTEK RTL8111E controller, with PMS 194C I/O bracket and 150 mm cable
E-MPCIE-DLAN03-R10	PCIe mini card supports 2-port GbE with Intel® I211 controller, with PMS 194C I/O bracket and 150mm cable

**By order production, MOQ: 50

Packing List

1 x Screw set

1 x Wall mount bracket