

Mobile Point-of-Care Terminal

POCm-W22C-ULT3
POCm-W24C-ULT3

22"/24" Medical Panel PC with 6th Generation Intel® mobile ULT Core™ i7/i5/Celeron® processor



Features

- Intel® Celeron®, Core™ i5/i7 Skylake processor
- Anti-bacteria housing with IP65 front bezel and IP32 rear cover protection
- PCAP touch allows multi-touch, multi-layer gloves and water-on-screen operation
- Three hot-swappable batteries with a total runtime of 8 hours, ideal for non-powered medical carts



» Key Features

3 hot-swappable batteries that can provide sufficient power, and the ergonomic side-facing design eases the use for nurses with different height. Compared to the LiFePO4 battery of the traditional nursing cart, the batteries installed on the POCm have better design by reducing more than 5 kilograms of weight. The battery docking station can perform fast charging, taking only 3.5 hours from 0 to 100%.



• Lightweight Design

Traditionally, the battery of working station is bulky and occupies space. The hot-swappable batteries makes the POCm series an ideal medical cart computer for decreasing the total weight up to 5 kg.

LiFePO4
6.5kg!

3 pcs Lithium-ion
1.38kg

5 kg reduction

• Highly Integration

The POCm series product is a highly integrated panel PC. When building a mobile working station, the easy installation steps prevent you from facing the trouble of integrating different components and messy cabling.



• Cost Effective

The typical price range of nursing cart battery is more than USD 600 (after service included). Our anti-bacteria battery saves more than USD 400 cost. Charging dock design meets the need of medical context and relieves the waste of time and efforts going back and forth between nursing station and ward.



Specifications

Model	POCm-W22C-ULT3	POCm-W24C-ULT3		
LCD Specifications	LCD Size	21.5" (16:9)	23.8" (16:9)	
	Max. Resolution (W/H)	1920 x 1080		
	Brightness (cd/m ²)	250		
	Contrast Ratio	1000:1		
	LCD Color	16.7M (RGB 6-bit + Hi-FRC)		
	Pixel Pitch (H/V)	0.24825 x 0.24825 mm	0.2745 x 0.2745 mm	
	Viewing Angle (H/V)	170°/160°	178°/178°	
Backlight MTBF (hrs)	30,000 (LED backlight)			
Touch	Touchscreen	Projected capacitive type with 10-point multi-touch		
	Touch Controller	EETI		
	Surface Hardness	6H		
System	CPU Support	6th Gen Intel® mobile ULT Core™ i7-6600U / Core™ i5-6300U / Celeron® 3855U		
	LAN Controller	1 x Intel® I211 Ethernet Controller 1 x Intel® I219 Ethernet Controller (AMT 12.x supported by i7/i5 SKUs)		
	RAM	2 x 260-pin 2400/2133MHz dual-channel DDR4 SO-DIMM, 4GB pre-installed (system max. 32GB)		
	Storage	1 x 2.5" accessible SATA HDD bay 2 x M.2 2280 M key (PCIe/SATA) with RAID		
	Audio	2 x 2W speaker		
	Camera & Microphone	5-megapixel CMOS front-facing camera with auto-focus and digital microphone		
	I/O Port	Bottom	Side	
		1 x DC jack 1 x Digital mic 2 x HDMI output 2 x GbE LAN port 2 x RS-232/422/485 4 x USB 3.2 Gen 1 (5Gb/s) port	1 x Mic in 1 x Audio out 2 x USB 2.0 port	
	OSD Function	1 x Power on/off 1 x Volume up 1 x Volume down	1 x Brightness up 1 x Brightness down 1 x LCD on/off and touch lock for cleaning	
	Expansion	1 x Full-size/Half-size PCIe Mini (PCIe+USB)		
	LED	1 x RFID indicator 1 x Power indicator 3 x Battery indicator (color: blue/red)		
Wi-Fi & Bluetooth	IEEE 802.11a/b/g/n/ac 2T2R module with BT v4.2 (M.2 2230 A-E key)			
Physical	Construction Material	ABS+PC plastic with anti-bacterial material		
	Mounting	Wall, Stand and Arm; VESA 75/100 compliant		
	Weight (Net)	7.07 kg (without battery)	8.18 kg (without battery)	
		8.43 kg (with 3 batteries)	9.53 kg (with 3 batteries)	
Dimensions (LxWxH)	543 x 350 x 71mm	594.6 x 379.6 x 71 mm		
Environment	Operating Temperature	0°C – 40°C		
	Storage Temperature	-20°C – 60°C		
	Humidity	10% – 90% (non-condensing)		
	Vibration	1G		
	Shock	Operating shock: 5G peak acceleration (11ms duration) Non-operating shock: 10G peak acceleration (11ms duration)		
	IP Level	Front: IP65		
	Thermal	Fanless		
Power	Power Input	19V DC input		
	Power Adapter	150W medical power adapter		
	Battery	3 slots for Li-ion battery packs		
Certification	CE, FCC Class B Part18 IEC 60601-1: 2005+AMD1:2012 (Edition 3.1) IEC 60601-1-2: 2014 (Edition 4.0)			

Ordering Information

Part No.	Description
22"	POCm-W22C-ULT3-C/PC/4G-R11 21.5" 250cd/m ² FHD medical panel PC with 6th generation 14nm Intel® mobile Celeron® 3855U (15W) 1.6GHz on-board processor (ULT), one 4GB DDR4 RAM, 802.11a/b/g/n/ac Wi-Fi module, PCAP touchscreen, 5-megapixel camera, microphone, w/o battery, R11
	POCm-W22C-ULT3-i5/PC/4G-R11 21.5" 250cd/m ² FHD medical panel PC with 6th generation 14nm Intel® mobile Core™i5-6300U (15W) 2.4GHz on-board processor (ULT), one 4GB DDR4 RAM, 802.11a/b/g/n/ac Wi-Fi module, PCAP touchscreen, 5-megapixel camera, microphone, w/o battery, R11
	POCm-W22C-ULT3-i7/PC/4G-R11 21.5" 250cd/m ² FHD medical panel PC with 6th generation 14nm Intel® mobile Core™i7-6600U (15W) 2.6GHz on-board processor (ULT), one 4GB DDR4 RAM, 802.11a/b/g/n/ac Wi-Fi module, PCAP touchscreen, 5-megapixel camera, microphone, w/o battery, R11
24"	POCm-W24C-ULT3-C/PC/4G-R10 24" 250cd/m ² FHD medical panel PC with 6th generation 14nm Intel® mobile Celeron® 3855U (15W) 2.4GHz on-board processor (ULT), one 4GB DDR4 RAM, 802.11a/b/g/n/ac Wi-Fi module, PCAP touchscreen, 5-megapixel camera, microphone, w/o battery, R10
	POCm-W24C-ULT3-i5/PC/4G-R10 24" 250cd/m ² FHD medical panel PC with 6th generation 14nm Intel® mobile Core™i5-6300U (15W) 2.4GHz on-board processor (ULT), one 4GB DDR4 RAM, 802.11a/b/g/n/ac Wi-Fi module, PCAP touchscreen, 5-megapixel camera, microphone, w/o battery, R10
	POCm-W24C-ULT3-i7/PC/4G-R10 24" 250cd/m ² FHD medical panel PC with 6th generation 14nm Intel® mobile Core™i7-6600U (15W) 2.6GHz on-board processor (ULT), one 4GB DDR4 RAM, 802.11a/b/g/n/ac Wi-Fi module, PCAP touchscreen, 5-megapixel camera, microphone, w/o battery, R10

Options

Item	Number	Description
RFID	19B00-000432-00-RS	Mifare RFID reader for POCm, 13.56MHz, Z641, RFID Board + Antenna, IEI assembly only
TPM	TPM-IN02-R20	Trusted platform module kit, TPM 2.0, IEI assembly only
Charging Docking Station	POCm-DOCKING-6BAY-R10	6-slot battery charger, LED indicator, 15V/280W power adapter
OS Image	POCm-W22C-ULT3-W10E64-V-R10	OS image with Windows Embedded Standard 10 E Value 64-bit 2019 for POCm-W22C/W24C Series
Cable Cover	43106-0272Q7-00-RS	Cable cover for POCm, white, plastic, R10, IEI assembly only
Battery	31603-000069-RS	3S3P Li-ion battery pack, 11.1V, 7800mAh, CCL, RoHS, IEI assembly only

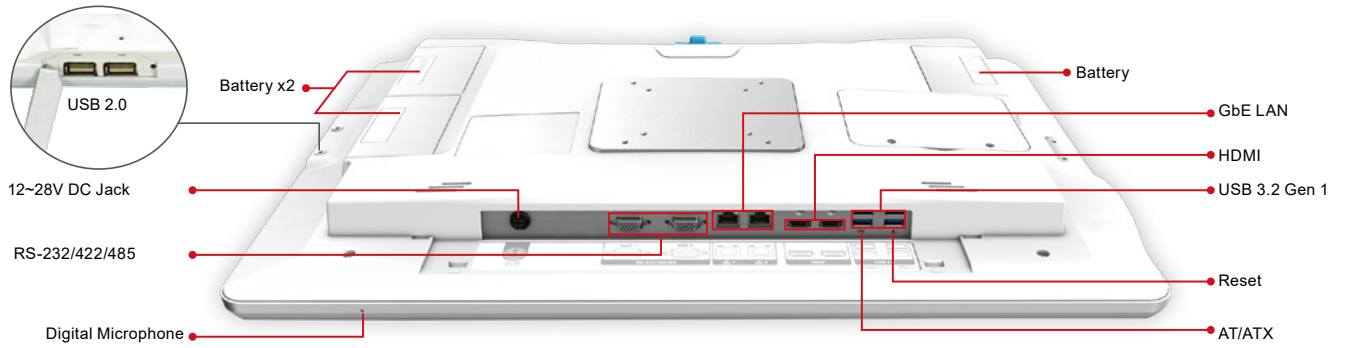
IQ Mounting Options

Item	Part No.
Arm	ARM-31-RS
Stand	STAND-A21-R10 (black)
	STAND-A21W-R10 (white)

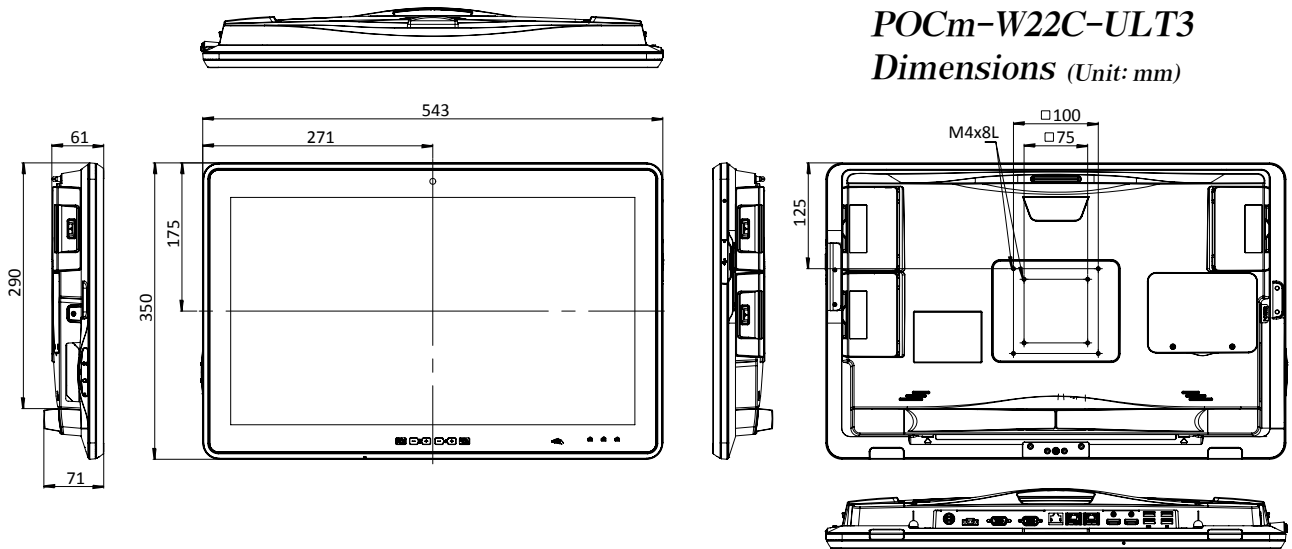
Packing List

Item	Q'ty	Remark
Power Adapter	1	150W medical power adapter
Power Cord	1	European power cord, 183 cm, C13

POCm-W22C-ULT3 / POCm-W24C-ULT3 I/O Interface



POCm-W22C-ULT3 Dimensions (Unit: mm)



POCm-W24C-ULT3 Dimensions (Unit: mm)

