

Poindus

VariPOS

Witness the Boundless Future

256S/256A



reddot winner 2021



Features

Ultra-Slim Bezel Design for Modern Retail

Experience ultra-slim bezel design (4.8mm), with elegant and stylish appearance. Deliver a seamless viewing experience eliminating surrounding distractions.



15.6" True Flat Touch

Full HD Display with Virtually Borderless Widescreen

Deliver a clear, crisp and vivid High Definition picture which is perfect for highly complex and image-intensive retail applications.



Full HD 1920 x 1080

VariIO I/O Box Higher Scalability

Connect a single high-speed USB Type C to all peripherals which can both reduce service requirements and maximize uptime.



Easier to Operate, Better to Serve

Dual hinged stand developed for wide angled flexibility, giving users an excellent viewpoint for a high degree of comfort and efficiency.



Higher Compatibility, Less Investment

VariPOS 2 Series uses common peripherals. Cross compatibility reduces peripheral inventory and lowers the total cost of ownership (TCO).



10.1" 2nd Display LCM iButton RFID Fingerprint MSR Scanner

Ordering Information

VariPOS 256S (Optional VariIO I/O Box)

- VariPOS 256S i5-7300U Intel® Kabylake/Skylake Core™ i5-7300U CPU
- VariPOS 256S i3-6100U Intel® Skylake Core™ i3-6100U 2.3 GHz CPU
- VariPOS 256S Celeron 3955U Intel® Skylake Celeron® 3955U 2.0 GHz CPU

VariPOS 256A (Optional VariIO I/O Mini)

- VariPOS 256A i5-8365UE Intel® Core™ i5-8365UE 4.10 GHz CPU
- VariPOS 256A i3-8145UE Intel® Core™ i3-8145UE 3.90 GHz CPU
- VariPOS 256A Celeron 4305UE Intel® Celeron® 4305UE 2.00 GHz CPU



- Multi-touch Screen
- Dual Hinged Stand
- Waterproof - IP56 on Front Panel
- Quick & Easy Maintenance
- Extendable VariIO I/O Box Custom Type C connector

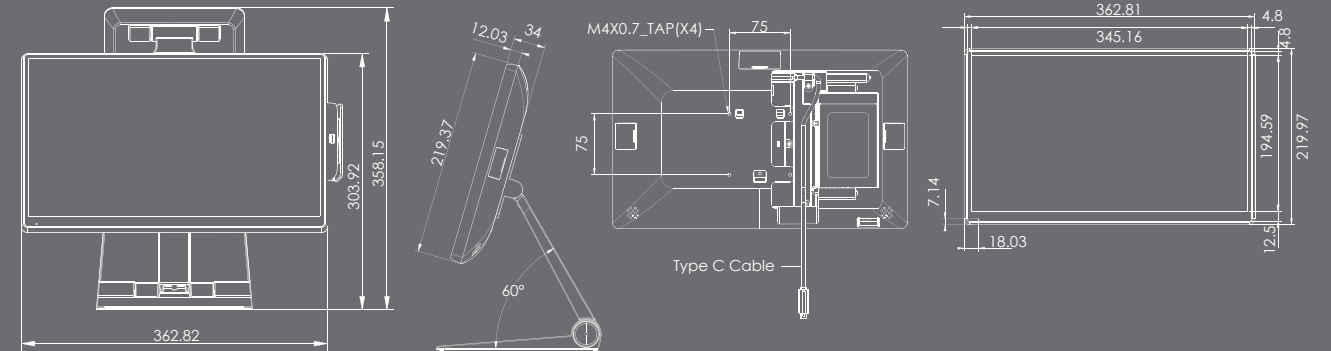
Specification

Model Name		• VariPOS 256S	• VariPOS 256A
Main Board	Processor	Intel® Core™ i5-7300U Processor Intel® Core™ i3-6100U Processor Intel® Celeron® Processor 3955U	Intel® Core™ i5-8365UE Intel® Core™ i3-8145UE Intel® Celeron®4305UE
	Chipset	CPU Integrated	
	System Memory	1 x SO-DIMM DDR4 slot, 4GB RAM as standard. Max. memory support up to 16 GB. Easy access with secured cover for easy maintenance.	
	TPM	Intel F/W	
	Intel AMT	Only i5 CPU	
Display & Touch	LCD Size	15.6" 16:9 TFT LCD (LED backlight)	
	Bezel	Slim-Edge 4.8mm Bezel Design	
	Brightness	350 nits	
	Resolution	1920 x 1080 (16:9)	
	Touch	True Flat Projected Capacitive Technology	
Storage	HDD/SSD	1 x SATA III (2.5")	
Panel I/O	LAN Port	1 x Gigabit Ethernet by RJ-45	
	USB Port	2 x USB 3.0	2 x USB 2.0, 4 x USB 3.1
	Speaker	HD Audio, 2W Speaker x 2	
	Power Switch	1 x power on/off button	
	COM Port	N/A	2 x RJ48 (Support DC+0/5/12v by BIOS setting, default setting is 0v)
	Cash Drawer	N/A	1 x RJ11 (Support DC+12v or +24v (default)) port supports 2 cash drawers
	DC Input	1 x Mini Din 4P (DC+19v only)	
	VariIO I/O Box & Expansion (Optional)	Cash Drawer	1 x RJ-11 (Support DC +12V or +24V (default)) port supports 2 cash drawers
LAN Port		1 x Gigabit Ethernet by RJ-45	N/A
USB Port		2 x USB 3.0; 4 x USB 2.0	1 x USB 2.0
Powered USB Port (Optional)		2 x DC+12v Powered USB 1 x DC+24v Powered USB	
COM Port		4 x RS-232 (jumper setting, support DC+0/5/12v, default setting is 0v)	N/A
*Project Based - VariIO I/O Mini for VariPOS 256A (PE23)	Display port	N/A	1 x Display port
OS Support	Windows 10 (64bit) / Windows 8.1 (64bit) / Windows 7 (32bit / 64bit) (Intel® Kabylake Core™ i5-7300U supports Win 10 64bit)	Windows 10 (64bit)	
Power Adapter (External adapter)	External adapter, DC Model : Voltage:+19VDC, Std. 180watt (*VariIO PUSB) External adapter, DC Model : Voltage:+19VDC, Std. 90watt (*VariPOS 250S / VariIO Non PUSB)		
Compliance	Certifications	CE, FCC, LVD, RoHS	
Material	Main Unit: Die-Cast Aluminum		
Color	Main Unit: Space Gray / Black		
Dimension (W x H x D mm)	362.8 x 304 x 175.3		
Environmental Condition	Operating	0°C ~ 40°C, 10% ~ 90% RH, non-condensing	
	Storage	-20°C ~ 60°C, 10% ~ 90% RH, non-condensing	

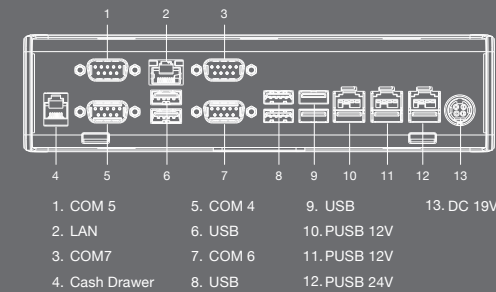
Model Name	• VariPOS 256S	• VariPOS 256A	
Optional Accessories	MSR	ISO 3-Tracks Slim MSR USB Type	
	iButton	Dallas Key Reader, USB Type	
	RFID	13.56Mhz USB Type	
	Fingerprint	Digital Persona U.are.U 4500 Module USB Type	
	Scanner	2D scanner, USB Type	
	2nd Display	10.1" Resolution 1280 x 800 (16:10 wide screen) USB Type, with or without True-flat P-cap 10 point Multi-touch	
LCM	2x20 USB Type		

* The right has been reserved to change the specification without prior notice.

Dimensions

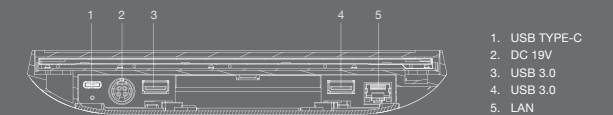


VariIO I/O Box (PE18)

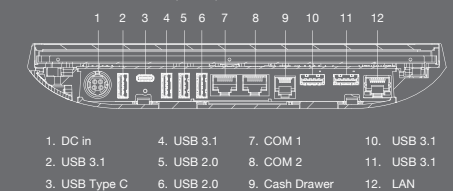


Panel PC IO Interface

VariPOS 256S (PE17)



VariPOS 256A (PE22)



Poindus
www.poindus.com



Poindus Systems Corp. Headquarters

5F, No.59, Ln. 77, Xing-Ai Rd., Neihu Dist., Taipei City 114, Taiwan. R.O.C

☎ + 886 2 7721 4688

📠 + 886 2 7721 2289

✉ sales@poindus.com

Germany

ADASYS GmbH Elektronische Komponenten
Max-Planck-Str. 10 70806 Kornwestheim

☎ + 49 7154 83000

📠 + 49 7154 8300 599

✉ info@adasys.de

UK

3 Devonshire Business Park, Basingstoke,
Hampshire, RG21 6XN, UK

☎ +44 (0)1256 331 336

✉ puk@poindus.com