

Poindus

# VariPOS

Take Your  
Store Experience  
to The Next Level

250 i / 270 i





## Features

### Patented Double Hinge & Dual Base Mounting Points Connect with Customers at Any Angle

Patented swivel arm with flexible height/tilt adjustment for 2nd display and dual (left/right) base mounting points for another 2nd display, LCM, or pin pad bracket.



### High Speed Custom USB Type C Connector Redefining Service

The VariIO I/O Box module connects all your devices through a single high speed custom USB Type C connector maintaining high I/O transfer rates and easy for quick service.

## Ordering Information

### VariPOS 250i/270i (with VariIO I/O Box)

- |                                    |  |
|------------------------------------|--|
| ■ VariPOS 250i/270i i5-7300U/6300U | Intel® Kabylake/Skylake Core™ i5-7300U/6300U CPU |
| ■ VariPOS 250i/270i i3-6100U       | Intel® Skylake Core™ i3-6100U 2.3 GHz CPU        |
| ■ VariPOS 250i/270i Celeron 3955U  | Intel® Skylake Celeron® 3955U 2.0 GHz CPU        |



Multi-touch Screen



Waterproof -  
IP66 on Front Panel



Quick Maintenance



## Detail features

- Intel 6th Generation Celeron i3, i5 high-end processors in a fanless structure
- True flat 15" 4:3 LCD, 400 nits / 17" 5:4 LCD, 400 nits (LED backlight) with IP66 protection.
- Patented swivel arm with height adjustment & tilt-angle 2nd screen, mountable at either right or left side of base
- Panel PC configuration available
- High speed custom Type C connector for customizable VariIO I/O Box to meet project specification
- 1 x 24V, 2 x 12V Powered USB for retail peripherals (VariIO I/O Box)
- Quick SWAP design VariIO I/O Box for easy maintenance
- Peripheral compatibility across the whole VariPOS 2xx series: LCM, 10.1" 2nd display with patented double hinge, LCM, MSR, iButton, Fingerprint, RFID, Scanner

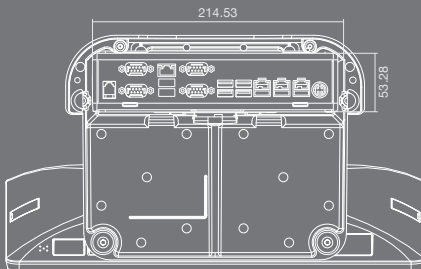
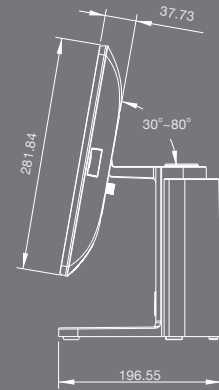
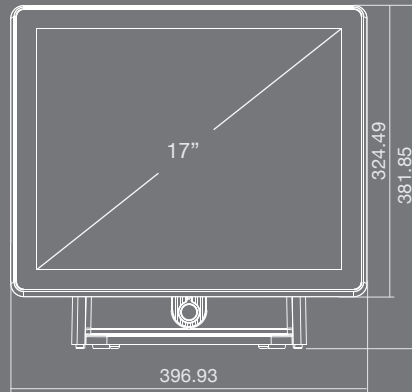
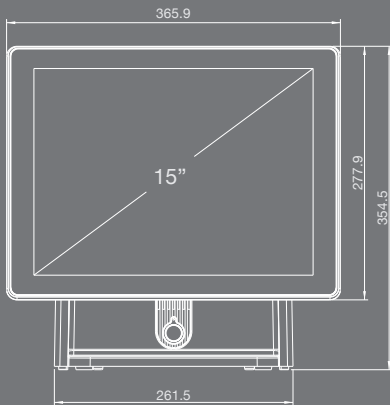
# Specification

<b>Model Name</b>		<ul style="list-style-type: none"> <li>• <b>VariPOS 250i / 270i</b></li> </ul>
<b>Main Board</b>	Processor	Intel® Core™ i5-7300U/6300U Processor Intel® Core™ i3-6100U Processor Intel® Celeron® Processor 3955U
	Chipset	CPU Integrated
	System Memory	1 x SO-DIMM DDR4 slot, 4GB RAM as standard. Max. memory support up to 16GB. Easy access with secured cover for easy maintenance.
	TPM	Intel F/W
	Intel AMT	Only i5 CPU
<b>Display &amp; Touch</b>	LCD Size	15" - 4:3 / 17" - 5:4 TFT LCD (LED backlight)
	Brightness	15" / 17" - 400 nits
	Resolution	15" - 1024 x 768 (4:3) / 17" - 1280 x 1024 (5:4)
	Touch	True Flat Projected Capacitive Technology
<b>Storage</b>	HDD/SSD	1 x SATA III (2.5")
<b>Panel I/O</b>	LAN Port	1 x Gigabit Ethernet by RJ-45
	USB Port	2 x USB 3.0
	Speaker	HD Audio, 2W Speaker x 2
	Power Switch	1 x power on/off button
<b>VariIO I/O Box</b>	Cash Drawer	1 x RJ-11 (Support DC +12V or +24V (default)) port supports 2 cash drawers
	LAN port	1 x Gigabit Ethernet by RJ-45
	USB port	2 x USB 3.0 4 x USB 2.0
	Powered USB Port (Option)	2 x DC+12v Powered USB 1 x DC+24v Powered USB
	COM port	4 x RS-232 (jumper setting, support DC+0/5/12v, default setting is 0v)
<b>OS Support</b>		Windows 10 2016 IOT ( 64bit ) / Windows 8.1 ( 64bit ) / Windows 7 ( 32bit / 64bit ) (Intel® Kabylake Core™ i5-7300U supports Win 10 64bit)
<b>Power Adapter ( External adapter )</b>		External adapter, DC Model : Voltage:+19VDC, Std. 180watt (*VariIO PUSB) External adapter, DC Model : Voltage:+19VDC, Std. 90watt (*VariPOS 250i/270i ; VariIO Non PUSB)
<b>Compliance</b>	Certifications	CE, FCC, LVD, RoHS
	Protection	IP 66 on front panel
<b>Material</b>		Main Unit: Die-Cast Aluminum
<b>Color</b>		Main Unit: Space Gray / Black, Space Gray / White (POS)
<b>Dimension ( W x H x D mm )</b>		365.89 x 354.48 x 196.55 (15") / 396.93 x 381.85 x 203.06 (17") mm
<b>Environmental Condition</b>	Operating	0°C ~ 40°C, 10% ~ 90% RH, non-condensing
	Storage	-20°C ~ 60°C, 10% ~ 90% RH, non-condensing

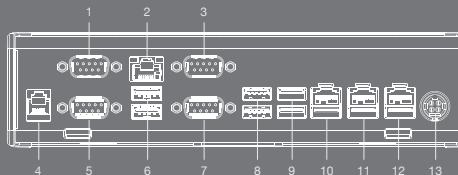
<b>Model Name</b>		• <b>VariPOS 250i / 270i</b>
<b>Optional Accessories</b>	2nd Display	10.1 " Resolution 1280 x 800 (16:10 wide screen) USB Type, Non Touch
	2nd VESA Bracket	Supports Display M series ( USB Type )
	LCM	2x20 USB Type
	MSR	ISO 3-Tracks Slim MSR USB Type
	ibutton	Dallas Key Reader, USB Type
	RFID	13.56Mhz USB Type
	Fingerprint	Digital Persona U.are.U 4500 Module USB Type
	Scanner	2D scanner, USB Type
<b>Carton</b>		L 460 x W 300 x H 510 mm (15") / L 495 x W 315 x H 550 mm (17")

\* The right has been reserved to change the specification without prior notice

# Dimensions

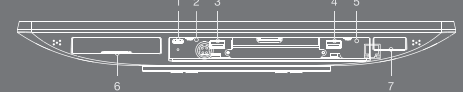


## Vario I/O Box (PE18)



- |               |         |             |           |
|---------------|---------|-------------|-----------|
| 1 COM 5       | 5 COM 4 | 9 USB       | 13 DC 19V |
| 2 LAN         | 6 USB   | 10 PUSB 12V |           |
| 3 COM7        | 7 COM 6 | 11 PUSB 12V |           |
| 4 Cash Drawer | 8 USB   | 12 PUSB 24V |           |

## Panel PC IO Interface (PE17)



- |           |            |
|-----------|------------|
| 1 USB 3.0 | 5 LAN      |
| 2 DC19V   | 6 2.5" HDD |
| 3 USB 3.0 | 7 POWER    |
| 4 USB 3.0 |            |

**Poindus**  
www.poindus.com



### Poindus Systems Corp. Headquarters

5F, No.59, Ln. 77, Xing-Ai Rd., Neihu Dist., Taipei City 114, Taiwan. R.O.C

☎ + 886 27721 4688

📠 + 886 27721 2289

✉ sales@poindus.com

### Germany

ADASYS GmbH Elektronische Komponenten  
Max-Planck-Str. 10 70806 Kornwestheim

☎ + 49 7154 83000

📠 + 49 7154 8300 599

✉ info@adasys.de

### UK

12 Chancerygate Business Centre, Whiteleaf Road,  
Hemel Hempstead HP3 9HD

☎ + 44 330 555 0081

📠 + 44 330 555 0082

✉ puk@poindus.com