

Poindus

VariPOS/PPC

The POS System of Forward Thinking





Features

Panel PC Available

Available counter POS, Pole or VESA Mount for multiple scenario Seamless Service with Modular Design

Environmental Resistance & Durability

Shockproof, Waterproof, and dustproof on front panel (IP66), sustainable alcohol cleaning.

Powered by Intel

Intel® J1900 Processor
Intel® Celeron i3/i5 Processor



Advanced Touch Technology

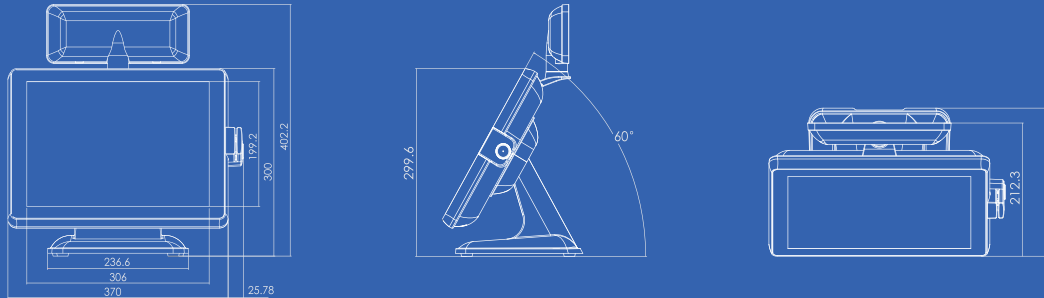
15" or 19" True Flat P-Cap
LCD Touch Screen (LED backlight)

Colorful IO Covers

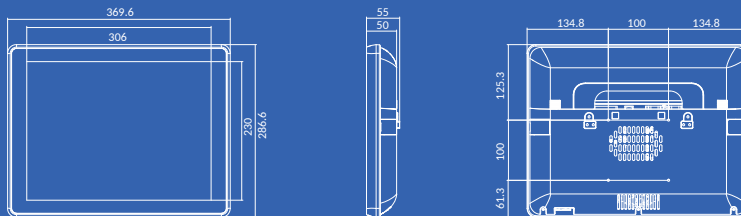
Colorful chassis suit any business
environments (for 15" noly)

Dimensions

VariPOS 750 / 850



VariPPC 750 / 850

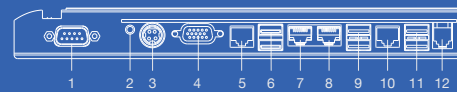


VariPOS / PPC 750 (Bay Trial)



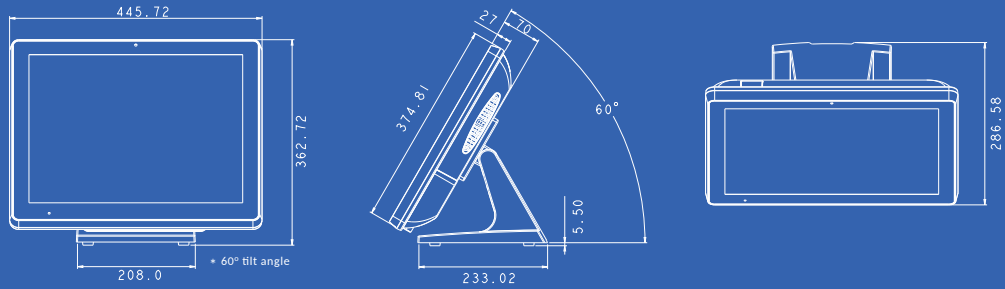
- | | | |
|----------------|-----------|----------------|
| 1 VGA | 5 USB 2.0 | 9 USB 3.0 |
| 2 Power Switch | 6 COM3 | 10 Cash Drawer |
| 3 COM2 | 7 USB 3.0 | 11 DC 19V |
| 4 COM1 | 8 LAN | |

VariPOS / PPC 850 (Skylake Mobile)

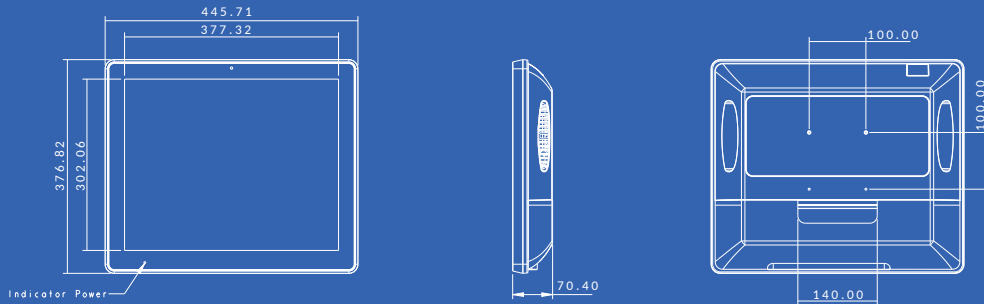


- | | | |
|----------------|-----------|----------------|
| 1 COM4 | 6 USB 3.0 | 11 USB 2.0 |
| 2 Power Switch | 7 COM2 | 12 Cash Drawer |
| 3 DC 19V | 8 COM1 | |
| 4 VGA | 9 USB 3.0 | |
| 5 COM3 | 10 LAN | |

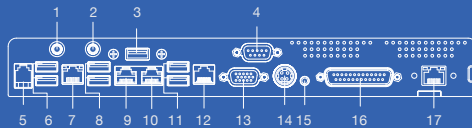
VariPOS 890



VariPPC 890



VariPOS / PPC 890 (Skylake Mobile)



- | | | |
|---------------|------------|-----------------------|
| 1 Audio Out | 7 LAN | 13 VGA |
| 2 Mic in | 8 USB 3.0 | 14 DC 19V |
| 3 USB 2.0 | 9 COM1 | 15 Power Switch |
| 4 COM4 | 10 COM2 | 16 LPT |
| 5 Cash Drawer | 11 USB 3.0 | 17 2nd LAN (optional) |
| 6 USB 2.0 | 12 COM3 | |



Detail features

- Full range of CPU from intel® Bay Trail J1900 to Skylake U high end computing Celeron/ i3/ i5.
- 15" or 19" True Flat P-Cap Touch Screen
- HDD or optional SSD storage
- Extensive peripheral connectivity – MSR, iButton, SCR, Fingerprint, RFID, Scanner, 10.4" 2nd Display, VFD, VariPad 2nd Cradle (for 15" only)
- Stylish & durable Aluminum chassis with fanless heat elimination
- Modular design to satisfy multi-scenario requirements
- 8 colorful IO covers to suit any business environments

Peripheral Products



VariPOS 10.4" 2nd Display

10.4" 2nd display up or down
mounted available



VariPOS VFD

VFD up or down
mounted available



VariPOS Scanner

Scanner up or down
mounted available



**VariPOS MSR/ iButton/
RFID/ Fingerprint/ SCR**

Ordering Information

VariPOS™ / PPC 750

- VariPOS / PPC 750-J1900 | 15" VariPOS / PPC 750 with Intel® Celeron J1900 (2M Cache, up to 2.42 GHz)

VariPOS™ / PPC 850

- VariPOS / PPC 850-i5 | 15" VariPOS / PPC 850 with Intel® Core™ i5-6300U Processor
- VariPOS / PPC 850-i3 | 15" VariPOS / PPC 850 with Intel® Core™ i3-6100U Processor
- VariPOS / PPC 850-Celeron-3955U | 15" VariPOS / PPC 850 with Intel® Celeron® Processor 3955U



Multi-touch Screen



Waterproof - IP66 on front panel



Various Color - ● ● ● ● ● ● ● ○



Panel PC (VESA) Mountable Available



VariPOS™ / PPC 890

- VariPOS / PPC 890-i5
 - VariPOS / PPC 890-i3
 - VariPOS / PPC 890-Celeron-3955U
- 19" VariPOS / PPC 890 with Intel® Core™ i5-6300U Processor
 - 19" VariPOS / PPC 890 with Intel® Core™ i3-6100U Processor
 - 19" VariPOS / PPC 890 with Intel® Celeron® Processor 3955U
-



Multi-touch Screen



Waterproof - IP66 on front panel



Various Color ● ○



Panel PC (VESA) Mountable Available



Specification

Model Name		• VariPOS / PPC 750	• VariPOS / PPC 850
Main Board	Processor	Intel® Celeron® Processor J1900 (2M Cache, up to 2.42 GHz)	Intel® Core™ i5-6300U Processor up to 3.00 GHz, Cache 3M Intel® Core™ i3-6100U Processor 2.30 GHz, Cache 3M Intel® Celeron® Processor 3955U 2.00 GHz, Cache 2M
	Chipset	CPU Integrated	
	TPM	N/A	Intel F/W
	System Memory	1 x DDR3L SO-DIMM up to 8GB	1 x SO-DIMM DDR3L 1600MHz, up to 8GB
Display & Touch	LCD Size	15" TFT LCD (LED backlight)	
	Brightness	350nits	
	Resolution	1024 x 768	
	Touch Technology	True Flat Projected Capacitive Technology	
Storage	HDD/SSD	1 x SATA (2.5") HDD or SSD	
I/O & Expansion	DC Input	1 x Mini Din 4P (DC 19V only)	
	Cash Drawer	1 x RJ-11 (Support DC +12V or +24V (default)) port supports 2 cash drawers	
	LAN port	1 x Gigabit Ethernet by RJ-45	
	USB port	2 x USB 2.0 4 x USB 3.0	2 x USB 2.0 4 x USB 3.0
	COM port	3 x RS-232 (COM1/2:DB-9, COM3:RJ-48) with DC 0V/5V/12V, selectable by BIOS. Default is DC 0V.	4 x RS-232 (3 x RJ-48 + 1 x DB9 Connector), COM 1/2/3 with DC 0V/5V/12V, selectable by BIOS. Default is DC 0V.
	Audio port	N/A	
	PS/2 port	N/A	
	LPT port	N/A	
	VGA port	1 x DB-15 VGA port Power enable by BIOS setting (default disable)	
	Bus Expansion	1 x Mini-PCI-E Slot	
	Power Switch	1 x power on / off switch button	
	Speaker	HD Audio, 2W Speaker x 2	

Model Name		• VariPOS / PPC 890
Main Board	Processor	Intel® Core™ i5-6300U Processor up to 3.00 GHz, Cache 3M Intel® Core™ i3-6100U Processor 2.30 GHz, Cache 3M Intel® Celeron® Processor 3955U 2.00 GHz, Cache 2M
	Chipset	CPU Integrated
	TPM	Intel F/W
	System Memory	1 x SO-DIMM DDR3L 1600MHz, up to 8GB
	Display & Touch	LCD Size
Display & Touch	Brightness	350nits
	Resolution	1280 x 1024
	Touch Technology	True Flat Projected Capacitive Technology
Storage	HDD/SSD	1 x SATA (2.5") HDD or SSD
I/O & Expansion	DC Input	1 x Mini Din 4P (DC 19V only)
	Cash Drawer	1 x RJ-11 (Support DC +12V or +24V (default)) port supports 2 cash drawers
	LAN port	1 x Gigabit Ethernet by RJ-45, 2nd LAN optional
	USB port	3 x USB 2.0 4 x USB 3.0
	COM port	4 x RS-232 (3 x RJ-48 + 1 x DB9 Connector), COM 1/2/3 with DC 0V/5V/12V, selectable by BIOS. Default is DC 0V.
	Audio port	1 x Line-out ; 1 x Mic-In
	PS/2 port	N/A
	LPT port	1 x DB-25 Printer port
	VGA port	1 x DB-15 VGA port Power enable by BIOS setting (default disable)
	Bus Expansion	1 x Mini-PCI-E Slot
	Power Switch	1 x power on / off switch button
	Speaker	HD Audio, 2W Speaker x 2

Model Name		• VariPOS / PPC 750	• VariPOS / PPC 850
OS Support		Win10 IoT 2016, Win8.1, Win7	Windows 10 2016 IOT (64bit) Windows 8.1 (64bit) Windows 7 (32bit / 64bit)
Power Adapter		External adapter, DC Model:65 Watts, Voltage: +19VDC 3.42 Amax	External adapter, DC Model: 90 Watts, Voltage: +19VDC 4.74 Amax
Compliance	Certifications	CE, FCC, LVD, RoHS	CE, FCC, LVD, RoHS
	Protection	IP66 on front panel	
VESA Mount		100mm x 100mm VESA	
Material		Main Unit: Die-Cast Aluminum ; I/O Cover: Plastic	
Color		Main Unit: Black	
Dimension(Wx H x D)		370 x 300 x 236 mm (POS) / 370 x 287 x 55 mm (PPC)	
Weight		7 kg (POS) / 5.7 kg (PPC)	
Optional Accessories	VFD	2 x 20 attached	
	MSR	USB Type	
	iButton	USB Type	
	SCR	USB Type	
	Finger Print	USB Type	
	RFID	USB Type, 13.56 MHZ	
	Scanner	2D Scanner, USB Type	
	2nd Display	10.4" Resolution 800 x 600	
Carton		L 404 x W 304 x H 505 mm (POS) / L 400 x W 170 x H 530 mm (PPC)	

Model Name		• VariPOS / PPC 890
OS Support		Windows 10 2016 IOT (64bit) Windows 8.1 (64bit) Windows 7 (32bit/64bit)
Power Adapter		External adapter, DC Model: 90 Watts, Voltage:+19VDC 4.74 Amax (Optional medical adapter)
Compliance	Certifications	CE, FCC, LVD, RoHS & Medical Certificates (CE: EN60601-1-2, FCC: Part 18, LVD: EN60601-1)
	Protection	IP66 on front panel
VESA Mount		100mm x 100mm VESA
Material		Main Unit: Die-Cast Aluminum ; I/O Cover: Plastic
Color		Main Unit: Black / White
Dimension(W x H x D)		446 x 363 x 276 mm (POS) / 446 x 377 x 70.4 mm (PPC)
Weight		9.3 kg (POS) / 7.3 kg (PPC)
Optional Accessories	VFD	N/A
	MSR	N/A
	iButton	N/A
	SCR	N/A
	Finger Print	N/A
	RFID	N/A
	Scanner	N/A
	2nd Display	N/A
Carton		L 526 x W 388 x H 600 mm (POS) / L 578 x W 188 x H 565 mm (PPC)

* The right has been reserved to change the specification without prior notice

Poindus
www.poindus.com



Poindus Systems Corp. Headquarters

5F, No.59, Ln. 77, Xing-Ai Rd., Neihu Dist., Taipei City 114, Taiwan. R.O.C

☎ + 886 27721 4688

📠 + 886 27721 2289

✉ sales@poindus.com

Germany

ADASYS GmbH Elektronische Komponenten
Max-Planck-Str. 10 70806 Kornwestheim

☎ + 49 7154 83000

📠 + 49 7154 8300 599

✉ info@adasys.de

UK

12 Chancerygate Business Centre, Whiteleaf Road,
Hemel Hempstead HP3 9HD

☎ + 44 330 555 0081

📠 + 44 330 555 0082

✉ puk@poindus.com