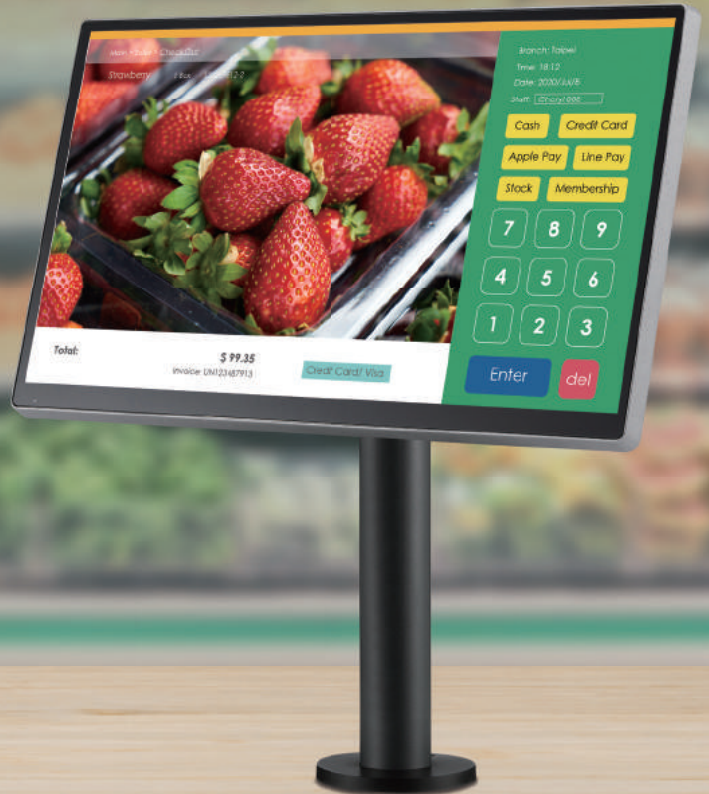


Poindus

VariPPC

See Wider, Go Wilder

256 / 256i / 256A



Features

Ultra-Slim Bezel Designed for Industry 4.0

Ultra-slim bezel design (4.8mm) delivers intuitive widescreen menu and dynamic layouts for retail, hospitality and industrial applications.



15.6" True Flat Touch

See Information with Clarity

The Full HD display gives the user more accurate screen colors and higher resolution imagery which is perfect for production and clothing retail.



Full HD 1920 x 1080

Versatile and flexible mounting solutions

Meet business requirements with Wall (VESA) and Pole mount options for compact footprint and low-profile solutions.



VESA Mount



Pole Mount



No Limits with USB-C Expansion

Connect a single custom high-speed USB Type C to all peripherals which can meet your connectivity requirements for any project scenario.

Higher Compatibility, Less Investment

VariPPC 2 Series uses common peripherals. Cross compatibility reduces peripheral inventory and lowers the total cost of ownership (TCO).



iButton



RFID



Fingerprint



MSR



Scanner

Ordering Information

VariPPC 256i (with VariIO I/O Box)

- | | |
|------------------------------|--|
| ▪ VariPPC 256i i5-7300U | Intel® Kabylake/Skylake Core™ i5-7300U CPU |
| ▪ VariPPC 256i i3-6100U | Intel® Skylake Core™ i3-6100U 2.3 GHz CPU |
| ▪ VariPPC 256i Celeron 3955U | Intel® Skylake Celeron® 3955U 2.0 GHz CPU |

VariPPC 256A

- | | |
|-------------------------------|-------------------------------------|
| ▪ VariPPC 256A i5-8365UE | Intel® Core™ i5-8365UE 4.10 GHz CPU |
| ▪ VariPPC 256A i3-8145UE | Intel® Core™ i3-8145UE 3.90 GHz CPU |
| ▪ VariPPC 256A Celeron 4305UE | Intel® Celeron® 4305UE 2.00 GHz CPU |



Multi-touch Screen



Waterproof - IP56 on Front Panel



Quick & Easy Maintenance



Extendable VariIO I/O Box Custom Type C connector



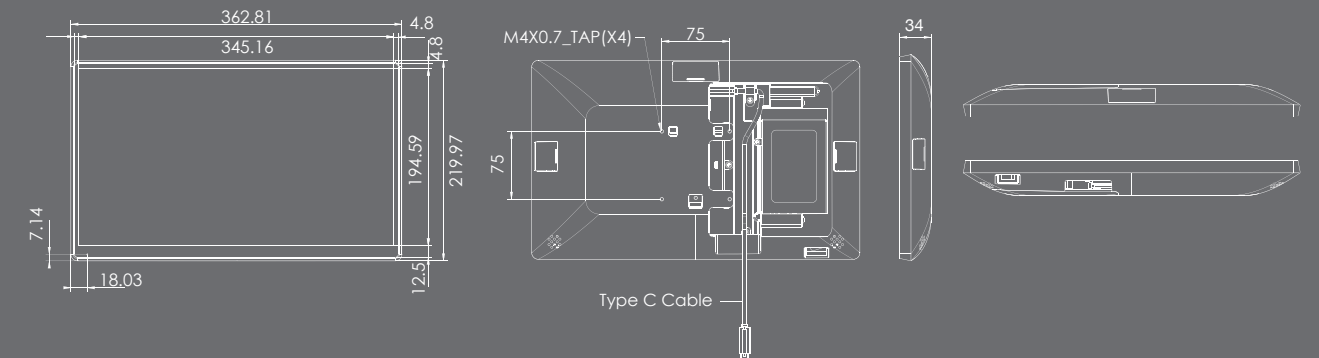
Specification

Model Name		• VariPPC 256 / *256i (*with VarilO I/O box)	• VariPPC 256A
Main Board	Processor	Intel® Core™ i5-7300U Processor Intel® Core™ i3-6100U Processor Intel® Celeron® Processor 3955U	Intel® Core™ i5-8365UE Intel® Core™ i3-8145UE Intel® Celeron®4305UE
	Chipset	CPU Integrated	
	System Memory	1 x SO-DIMM DDR4 slot, 4GB RAM as standard. Max. memory support up to 16 GB. Easy access with secured cover for easy maintenance.	
	TPM	Intel F/W	
	Intel AMT	Only i5 CPU	
Display & Touch	LCD Size	15.6" 16:9 TFT LCD (LED backlight)	
	Bezel	Slim-Edge 4.8mm Bezel Design	
	Brightness	350 nits	
	Resolution	1920 x 1080 (16:9)	
	Touch	True Flat Projected Capacitive Technology	
Storage	HDD/SSD	1 x SATA III (2.5")	
Panel I/O	LAN Port	1 x Gigabit Ethernet by RJ-45	
	USB Port	2 x USB 3.0	2 x USB 2.0, 4 x USB 3.1
	Speaker	HD Audio, 2W Speaker x 2	
	Power Switch	1 x power on/off button	
	COM Port	N/A	2 x RJ48 (Support DC+0/5/12v by BIOS setting, default setting is 0v)
	Cash Drawer	N/A	1 x RJ11 (Support DC+12v or +24v (default)) port supports 2 cash drawers
	DC Input	1 x Mini Din 4P (DC+19v only)	
VarilO I/O Box & Expansion (Optional)	Cash Drawer	1 x RJ-11 (Support DC +12V or +24V (default)) port supports 2 cash drawers	N/A
	LAN Port	1 x Gigabit Ethernet by RJ-45	N/A
	USB Port	2 x USB 3.0; 4 x USB 2.0	1 x USB 2.0
	Powered USB Port (Optional)	2 x DC+12v Powered USB 1 x DC+24v Powered USB	
*Project Based - VarilO I/O Mini for VariPPC 256A (PE23)	COM Port	4 x RS-232 (jumper setting, support DC+0/5/12v, default setting is 0v)	N/A
	Display Port	N/A	1 x Display port
OS Support	Windows 10 (64bit) / Windows 8.1 (64bit) / Windows 7 (32bit / 64bit) (Intel® Kabylake Core™ i5-7300U supports Win 10 64bit)		Windows 10 (64bit)
Power Adapter (External adapter)	External adapter, DC Model : Voltage:+19VDC, Std. 180watt (*VarilO PUSB) External adapter, DC Model : Voltage:+19VDC, Std. 90watt (*VarilO Non PUSB)		
Compliance	Certifications	CE, FCC, LVD, RoHS	

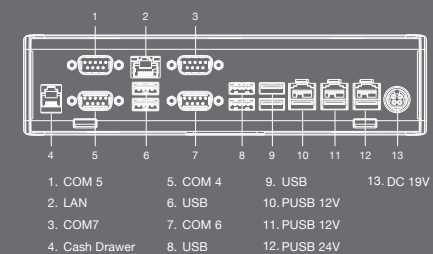
Model Name	• VariPPC 256 / *256i (*with VarilO I/O box)	• VariPPC 256A
Material	Main Unit: Die-Cast Aluminum	
Color	Main Unit: Space Gray / Black	
Dimension (W x H x D mm)	362.8 x 219.9 x 34	
Environmental Condition	Operating	0°C ~ 40°C, 10% ~ 90% RH, non-condensing
	Storage	-20°C ~ 60°C, 10% ~ 90% RH, non-condensing
	MSR	ISO 3-Tracks Slim MSR USB Type
	iButton	Dallas Key Reader, USB Type
Optional Accessories	RFID	13.56Mhz USB Type
	Fingerprint	Digital Persona U.are.U 4500 Module USB Type
	Scanner	2D scanner, USB Type

* The right has been reserved to change the specification without prior notice.

Dimensions

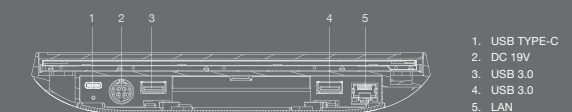


VarilO I/O Box (PE18)

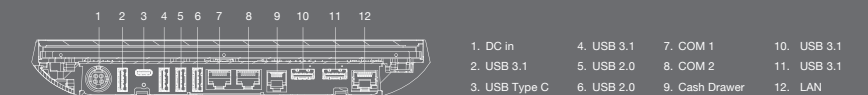


Panel PC IO Interface

VariPPC 256 (PE17)



VariPPC 256A (PE22)



Poindus
www.poindus.com



Poindus Systems Corp. Headquarters

5F, No.59, Ln. 77, Xing-Ai Rd., Neihu Dist., Taipei City 114, Taiwan. R.O.C

☎ + 886 2 7721 4688

📠 + 886 2 7721 2289

✉ sales@poindus.com

Germany

ADASYS GmbH Elektronische Komponenten
Max-Planck-Str. 10 70806 Kornwestheim

☎ + 49 7154 83000

📠 + 49 7154 8300 599

✉ info@adasys.de

UK

3 Devonshire Business Park, Basingstoke,
Hampshire, RG21 6XN, UK

☎ +44 (0)1256 331 336

✉ puk@poindus.com