

SEF-B2940

29.4" 1920x720 Resolution
Stretched Bar Display

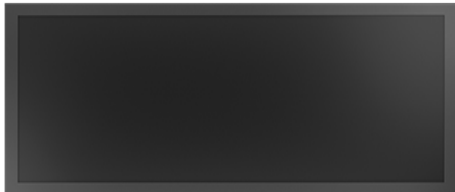


Stretched Bar Monitor

www.seform.com.tw



Features



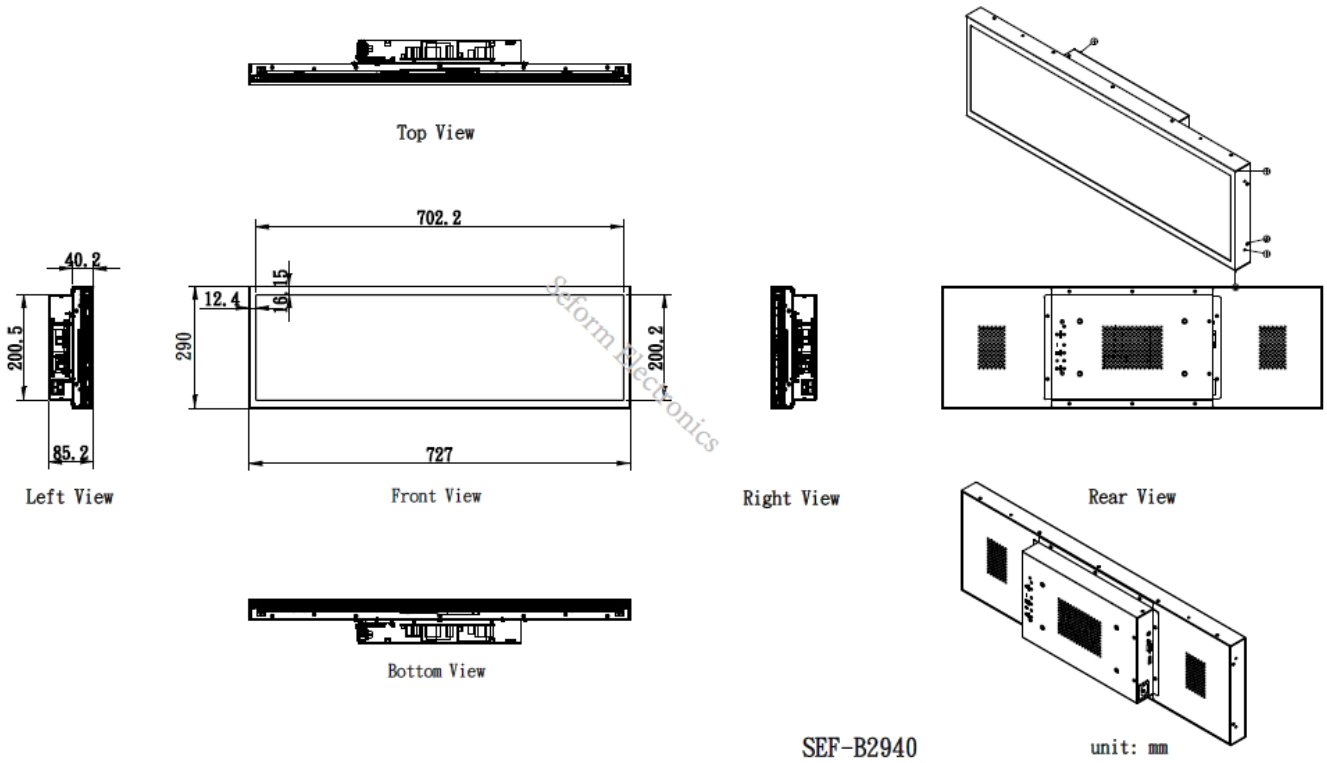
- 29.4 inch Industrial Grade Stretched Bar Monitor
- High Brightness 700 cd/m2 TFT Surface
- Resolution 1920 x 720
- IK07 Front Vandal Proof Protection
- Front IP53 Dust and Water Proof Design
- Anti-Glare Surface treatment
- Support Brightness Auto Dimming Function
- Backlight MTBF 70,000 Hours
- High Contrast 4000:1
- Over Voltage Protection Design
- Industrial Grade Metal Enclosure

Specification

Screen Size	29.4"
Aspect Ratio	24:9
Display Resolution(dot)	1920 x 720

Active Area(mm)	698.4(H) x 261.9(V)	
Pixel Pitch(mm)	0.3637 (H) x 0.3637 (V)	
Display Colors	16.7million	
Brightness (Typ.)	700 cd/m ² (TFT Surface)	
Contrast Ratio	4000:1	
Response Time	8ms (Typical)	
View Angle	178°(H), 178°(V)	
Backlight MTBF	70,000 Hours (min.)	
IP Rating	Front IP53	
Vandal Proof	IK07 Tempered Glass with AG Surface Treatment (AF Optional)	
I/O Port	Video	HDMI x1 VGA x1
	Audio (Optional)	Audio-in x1
	Power Plug	AC: IEC 320 C14 3-pin AC Cord (female) DC: 2.5x5.5mm DC Jack
Power Rating	AC: AC-110~240V DC: Standard: 24V, Option: DC48V or DC110V *With Over Voltage Protection design for DC input.	
Power Consumption(watt)	TBD	
Dimension(mm)	727.00 x 290.00 x 85.20	
Mounting(mm)	VESA mount 200 x 100	
Operating Temperature	-20 ~ 60 °C	
Ordering Information	SEF-B2940-A	Power Rating: AC110~240V Input
	SEF-B2940-DA	Power Rating: DC-24V Input
	SEF-B2940-DB	Power Rating: DC-48V Input
	SEF-B2940-DC	Power Rating: DC-110V Input
Certification	Front IK07 impact protection, compliant with IEC 62262 Front IP53 protection, compliant with IEC 60529	

Mechanical Drawing



*All specifications are subject to change without notice.