

Puritron Box-PC

Trusted Point-of-Service

Industrial Embedded System-Box Pc

Intel® Atom™ D525 CPU onboard Fanless Embedded System with VGA output, dual LAN, 5xCOM port, 8xUSB, DC 12V in



Main Features

- Robust Fanless Embedded System
- Intel® D525 (1.8GHz, Dual Core, L2 cache 1MB) CPU onboard
- Supports 2.5" SATA HDD and SSD
- DC 12 voltage support
- 5 x COM ports (DB-9 male) with 5/12v DC output
- Dual LAN ports; 1 x VGA Port
- Printer: 1 x Parallel port (DB25 female)
- DC 12 Voltage In & Out

Specifications

System

CPU	Intel® Atom™ D525 1.8GHz (Dual Core, L2 cache 1 MB)
Chipset	ICH8M
Memory	1 x DDR3 SO-DIMM 800MHz up to 4GB
4GB Expansion Slot	1 x mini PCI Express
Dimension	230 x 65 x 190 mm
HDD	1 x 2.5" SATA Storage (HDD / SSD)
LAN	2 x RTL8111E GbE, 1000/100/10 Mbps

Front I/O

USB Port	1 x USB 2.0
ATX POWER SWITCH	YES
Power LED	YES
HDD. . LED	YES

Rear I/O

VGA Output	1 x DB-15 female
COM Port	5 x COM ports (DB-9 male) with 5/12v DC output
USB Port	4 x USB 2.0
LAN Port	2 x RJ45 10/100/1000 Base-T
DC-Jack Connector	DC Output: 1 x 12V DC Jack 2.5 mm
Parallel Port	1 x Parallel port (DB25 female) Cash Drawer
Keyboard/Mouse	1 x PS/2
Audio	1 x Line-out; 1 x Mic-in; internal speaker pin header
Ohms) WLAN Antenna	2W+2W (at 2 Yes

Power Supply

Output Rating 12V-60W power adaptor 60w for system as default

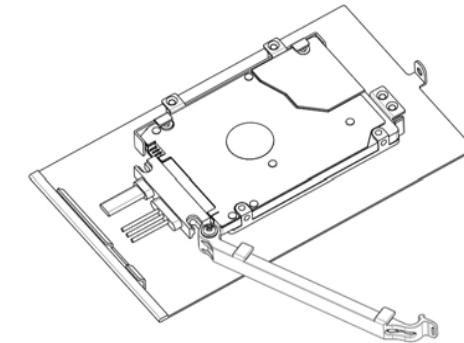
Environment Specifications

Operating Temp.	0°C ~ 50°C (32°F ~ 122°F)
Storage Temp.	-10°C ~ 55°C (14°F ~ 131°F)
Relative Humidity	10% ~ 90% (non-condensing)
EMC & Safety	CE, FCC, CCC



Special Features

Tools-free HDD installation



Water proof design (Water seal around HDD case/ IP65 metal power switch)



Universal mounting holder (by using special screws instead of rubber feet, simple and tool-free)



Ordering Information

Modules

Description	Intel® Atom™ D525 CPU onboard Fanless Embedded System with VGA output, dual LAN, 5xCOM port, 8xUSB, DC 12V in
-------------	---

Packing list

- Fanless Embedded System
- Driver CD