

REC4313

AMD T40R Processor Fan-less Embedded Controller

REC4313 is a ruggedized industrial solution, which provides extreme reliable functions, scalable processing efficiency, stackable chassis extension, rich I/O features and flexible industrial design. Ruggcore fan-less embedded computer supports with AMD G-Series T40R processor, and DDRIII 1066 memory. In addition, the housing of Ruggcore series takes aluminum chassis to construct a strong mechanical structure for any harsh industrial applications.

Key Features

- AMD G-Series Processor T40R
- Good Graphic Performance
- SODIMM DDRIII 1066 Memory
- Fan-less
- Wide Input Voltage DC 9~36V
- Ruggedized Housing Design

Application

- Machine Controller
- Factory Automation
- Marine
- Transportation



Specifications

Preliminary

Model Number	REC4313
Description	AMD G-Series T40R Processor Fan-less Embedded Controller
Processor	AMD T40R 1.0GHz(Single Core)
Chip Set	AMD G-Series
System Memory	204-pin DDR3 SODIMM x1, Max. 4GB
Ethernet	Gigabit, RJ-45 x 2
Storage	SATA (3.0G/s) x2 ,Cfast x1,mSATA optional (support either mSATA or full size mini card) x1
Audio	MIC In / Line Out
I/O Interface Front	RJ45 x2, USB x2, COMx2(RS232x1, RS232/422/485 x1), VGAX1, HDMI x1, Audio Phone Jack x 2(Line-Out, MIC In)
I/O Interface Rear	USBx4,COMx2 (RS232 x2), Power Switch, DC-In, HDD Bay 2.5"
Wake On LAN	Yes
Extension Interface	Mini Card slot x1 (internal), Cfast Slot x1(internal)
Power Supply	DC Input voltage: 9V~ 36V
Display	Supports VGA / HDMI
Chip Set	ATI HD6250
Resolutions	HDMI Up to 1920x1080, VGA Up to 1920x1200
Mechanical	
Construction	Rugged Aluminum Alloy Chassis
Mounting	Wall Mount, Desktop
Dimension	305x146x47mm
Net Weight	1.5Kg
Environmental	
Operating Temperature	-15°C ~ 50°C (5°F ~ 131°F)
Storage Temperature	-20°C ~ 70°C (-4°F ~-158°F)
Operating Humidity	5~90% @ 40°C, non-condensing
Vibration	1G rms / 5~500Hz / random operation
Shock	20G peak acceleration (11msec. duration)
Certification	CE/FCC Class A

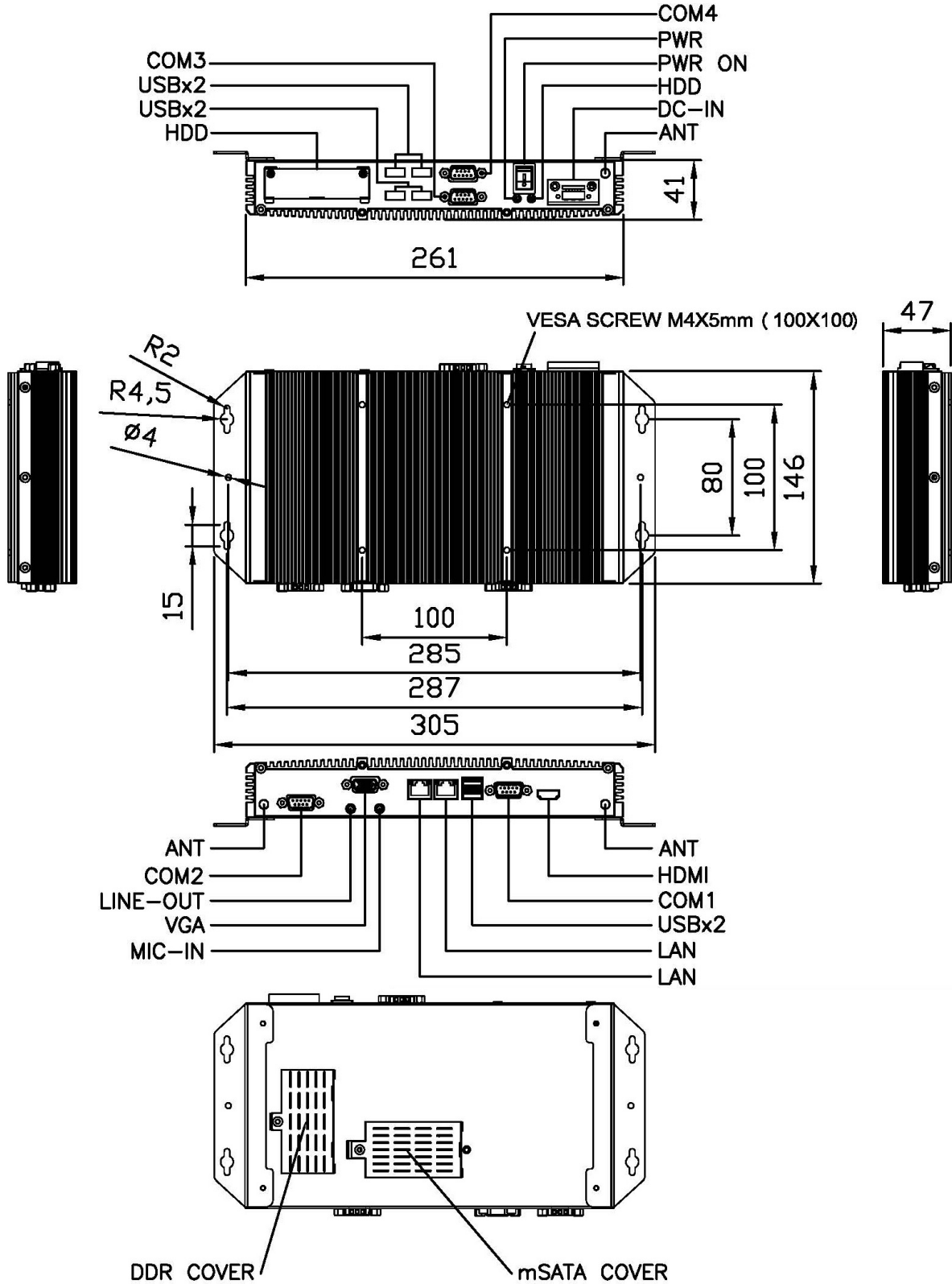
Specifications are subject to change without notice.

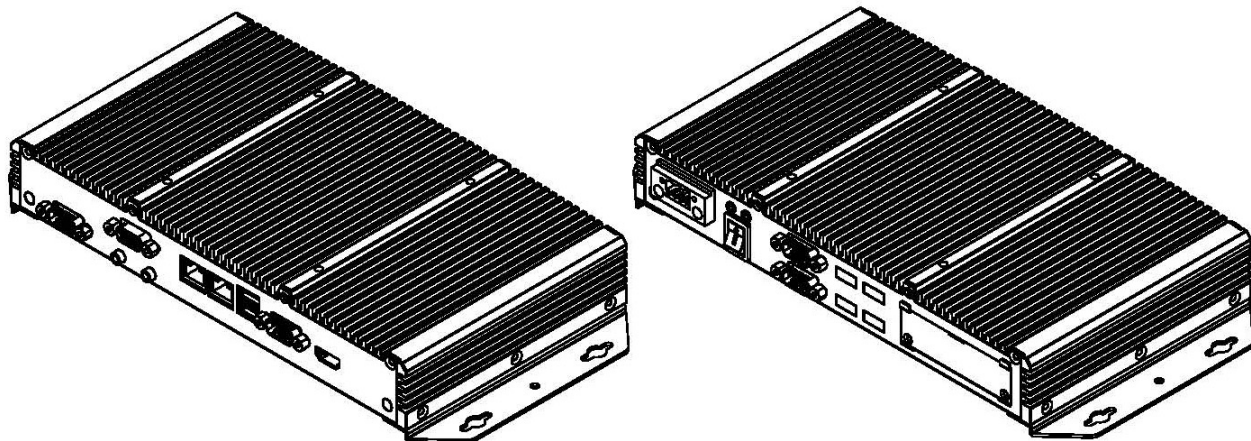
All brands or product names are trademarks or registered trademarks of their respective companies.

Mechanical Drawing

Outline Dimensions

Unit:mm





SCALE 1:1

Ordering Information

Part Number	Description
REC4313-A01	AMD T40R 1.0GHz processor, 2GB DDR3.RJ45*2,VGA,HDMI,USB*6.COM*4,HDD Bay 2.5,mini card.9~36V,V01

Optional Accessories

Part Number	Description
840612073000	ADAPTER,12V,7.0A,84W.LE-0316B120084.NLE-0316BS12V-AE
810618301015	Power Cable USA Type
810618301115	Power Cable UK Type
810618301145	Power Cable Australia Type
810618301070	Power Cable Europe Type