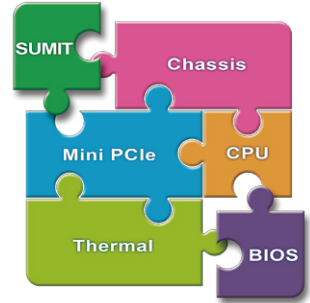


SPC-3500 Series

Intel® Core™ i7/ i5/ i3 U-series Processor (Skylake-U) Ultra-compact Fanless Embedded Box PC, 4 GigE LAN, 2 SSD, 1 SIM, 4 USB 3.0, 9 COM, 16 Isolated DIO, -40°C to 85°C, Rugged, High Performance, Extended Temperature



- 6th Generation Intel® Core™ i7/ i5/ i3 U-series SoC (Skylake-U)
- DDR4 2133MHz memory, up to 16GB
- Onboard DVI-D and DisplayPort display interfaces support up to 4K resolution
- Up to 5 Independent GigE LAN, iAMT 11.0 supported
- Optional supports full function SUMIT A, B expansions
- Fanless, -40°C to 85°C Operating Temperature
- 9V to 36V DC Power Input
- 16 Isolated DIO
- 4 USB 3.0, 9 COM RS-232/ 422/ 485
- One-stop SUMIT Expansion Design and Manufacturing Services



Machine Vision



Factory Automation



Robot Control



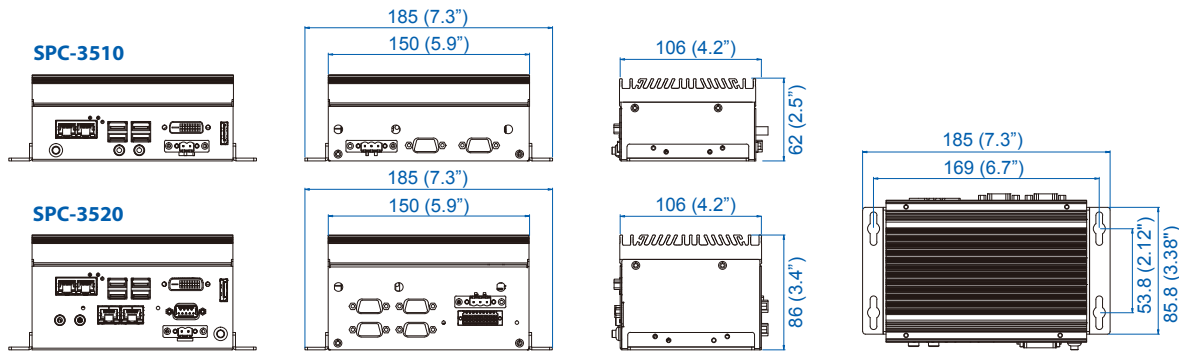
Intelligent Surveillance



Military



Dimensions & Drawing Unit: mm (inch)



Specifications

System		Ethernet	
Processor	Intel® Core™ i7/ i5/ i3/ Celeron® U-series Processor (Skylake-U)	LAN 1	Intel® I219 GigE LAN supports iAMT 11.0
Chipset	Intel® SoC (Skylake)	LAN 2	Intel® I210 GigE LAN
BIOS	AMI	LAN 3	Intel® I210 GigE LAN
SIO	IT8786E	LAN 4	Intel® I210 GigE LAN
Memory	1 DDR4 2133/ 1866 MHz SO-DIMM, up to 16GB	LAN 5	Optional by SUMIT expansion
OS	Windows 10, Windows 8.1, Windows 7, Linux	Power	
I/O Interface		Power Input	9V to 36V, DC-in
Serial	Up to 9 COM RS-232/ 422/ 485	Power Interface	3-pin Terminal Block : V+, V-, Frame Ground
USB	<ul style="list-style-type: none"> • 4 USB 3.0 (External) • Up to 4 USB 2.0 (Internal) 	Remote Switch	2-pin Terminal Block
DIO	SPC-3520, 3530 : 16 Isolated DIO : 8 DI, 8 DO SPC-3510 : 16 GPIO (Internal)	Others	
LED	Power, HDD	Watchdog Timer	Reset : 1 to 255 sec./min. per step
SIM Card	1 SIM Card Socket (Internal)	Smart Management	Wake on LAN, PXE supported
Expansion		HW Monitor	Monitoring temperature, voltages. Auto throttling control when CPU overheats.
Mini PCIe	2 Mini PCIe Socket : <ul style="list-style-type: none"> • 1 Full-size for PCIe/ USB/ Internal SIM Card • 1 Full-size for PCIe/ USB/ mSATA 	Mechanical	
SUMIT A, B	2 SUMIT Slot (Optional)	Dimensions (WxLxH)	SPC-3510 : 150mm x 106mm x 62mm (5.9"x4.2"x2.5") SPC-3520 : 150mm x 106mm x 86mm (5.9"x4.2"x3.4") SPC-3530 : 150mm x 106mm x 100mm (5.9"x4.2"x3.9")
Graphics		Weight	SPC-3510 : 1.4 kg (3.08 lb) SPC-3520 : 1.8 kg (3.97 lb) SPC-3530 : 2.1 kg (4.62 lb)
Processor	Intel® HD Graphics 520	Mounting	<ul style="list-style-type: none"> • Wallmount by mounting bracket • 2U Rackmount (Optional)
Interface	<ul style="list-style-type: none"> • DVI-D : Up to 1920 x 1080 @ 60Hz • DisplayPort : Up to 3840 x 2160 @ 60Hz 	Environment	
Storage		Operating Temp.	-40°C to 85°C (-40°F to 185°F)
SATA	2 SATA III (6Gbps) support S/W RAID function	Storage Temp.	-40°C to 85°C (-40°F to 185°F)
mSATA	1 SATA III (Mini PCIe Type, 6Gbps)	Humidity	5% to 95% Humidity, non-condensing
Storage Device	2 2.5" SSD/ HDD Bracket (Internal)	Relative Humidity	95% @ 70°C
Audio		Shock	<ul style="list-style-type: none"> • IEC 60068-2-27 • SSD : 50G @ wallmount, Half-sine, 11ms
Audio Codec	Realtek ALC892, 5.1 Channel HD Audio	Vibration	<ul style="list-style-type: none"> • IEC 60068-2-64 • SSD : 5Grms, 5Hz to 500Hz, 3 Axis
Audio Interface	1 Mic-in, 1 Line-out	EMC	CE, FCC, EN50155, EN50121-3-2

Order Information

SPC-3510-600U	• SPC-3500, onboard Intel® Core™ i7-6600U, 2 GigE LAN, 1 SSD, 4 USB 3.0, 2 COM, 1 SIM
SPC-3510-300U	• SPC-3500, onboard Intel® Core™ i5-6300U, 2 GigE LAN, 1 SSD, 4 USB 3.0, 2 COM, 1 SIM
SPC-3510-100U	• SPC-3500, onboard Intel® Core™ i3-6100U, 2 GigE LAN, 1 SSD, 4 USB 3.0, 2 COM, 1 SIM
SPC-3510-955U	• SPC-3500, onboard Intel® Celeron® 3955U, 2 GigE LAN, 1 SSD, 4 USB 3.0, 2 COM, 1 SIM
SPC-3520-600U	• SPC-3500, onboard Intel® Core™ i7-6600U, 4 GigE LAN, 1 SSD, 4 USB 3.0, 5 COM, 1 SIM, 16 Isolated DIO
SPC-3520-300U	• SPC-3500, onboard Intel® Core™ i5-6300U, 4 GigE LAN, 1 SSD, 4 USB 3.0, 5 COM, 1 SIM, 16 Isolated DIO
SPC-3520-100U	• SPC-3500, onboard Intel® Core™ i3-6100U, 4 GigE LAN, 1 SSD, 4 USB 3.0, 5 COM, 1 SIM, 16 Isolated DIO
SPC-3520-955U	• SPC-3500, onboard Intel® Celeron® 3955U, 4 GigE LAN, 1 SSD, 4 USB 3.0, 5 COM, 1 SIM, 16 Isolated DIO
SPC-3530-600U	• SPC-3500, onboard Intel® Core™ i7-6600U, 4 GigE LAN, 2 SSD, 4 USB 3.0, 9 COM, 1 SIM, 16 Isolated DIO
DDR4 16G	• Certified DDR4 16GB 2133MHz RAM
DDR4 8G	• Certified DDR4 8GB 2133MHz RAM
DDR4 4G	• Certified DDR4 4GB 2133MHz RAM
PWA-120W	• 120W, 24V, 90V AC to 264V AC Power Adapter with 3-pin Terminal Block
PWA-160W-WT	• 160W, 24V, 85V AC to 264V AC Power Adaptor with 3-pin Terminal Block, Wide Temperature -30°C to +70°C
TMK2-20P-100	• Terminal Block 20-pin to Terminal Block 20-pin Cable, 100cm
TMK2-20P-500	• Terminal Block 20-pin to Terminal Block 20-pin Cable, 500cm
TMB-TMBK-20P	• Terminal Board with One 20-pin Terminal Block Connector and DIN-Rail Mounting
3G Module	• Mini PCIe 3G/GPS Module with Antenna
4G Module	• Mini PCIe 4G/GPS Module with Antenna
WiFi & Bluetooth Module	• Mini PCIe WiFi & Bluetooth Module with Antenna

SPC-3500-20170918